



Washdown Stations

MV-0771-11CW

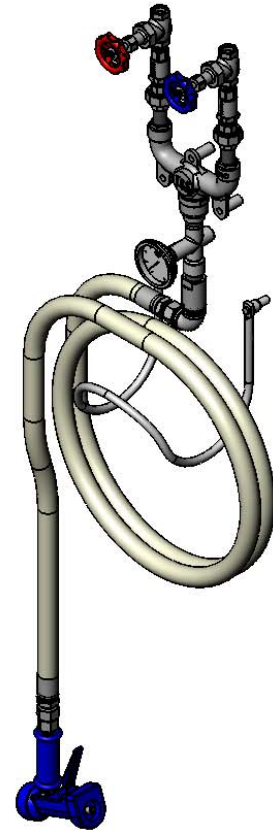
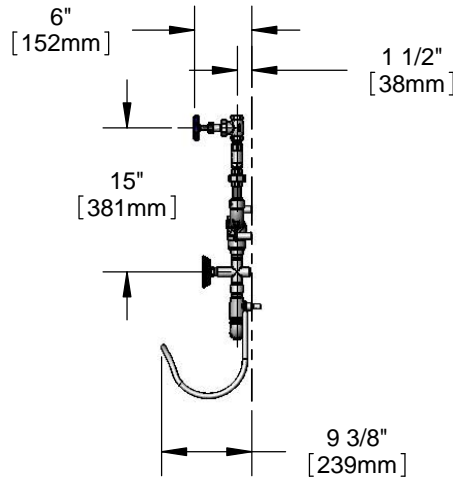
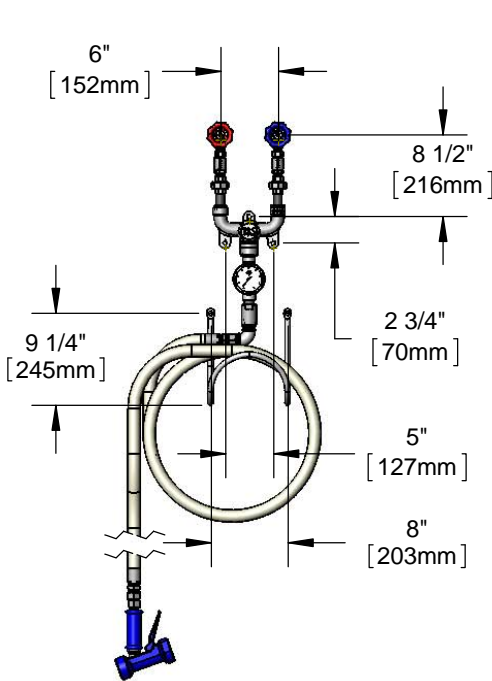
TAG:

Mixing Valve

Architect/Engineering Specifications:

Chrome plated washdown station w/ 1/2" mixing valve, thermometer, 50' hose, rear trigger stainless steel water gun & hose rack.

Job Name _____
Model Specified _____ Quantity _____
Variations Specified _____
Date _____



Features & Benefits:

- Rear trigger stainless steel water gun w/ rubber cover and 7/16" orifice
- Brass Thermometer tee
- Stainless steel thermometer, temperature range 0°F-200°F
- 3/4" I.D. x 50' creamery hose w/ inlet swivel
- Stainless steel hose rack w/ mounting hardware
- Material: Chrome plated brass tee, stainless steel thermometer, water gun and rubber hose

Product Compliance:

- NSF 61 Exempt (Non-Potable)

Warranty: One Year (Limited)

Performance Data:

- Pressure: 20 - 125 psi
- Temperature: 40°F - 200°F
- Flow Rate: 10.10 GPM @ 60 psi



T&S BRASS AND BRONZE WORKS, INC.



• 2 Saddleback Cove • Travelers Rest, SC 29690
 Ph 800-476-4103 • Fax 864-834-3518
 • Simi Valley, CA • Ph 800-423-0150 • www.tsbrass.com

Date: 08/27/15