



**Architect/Engineering Specifications:**

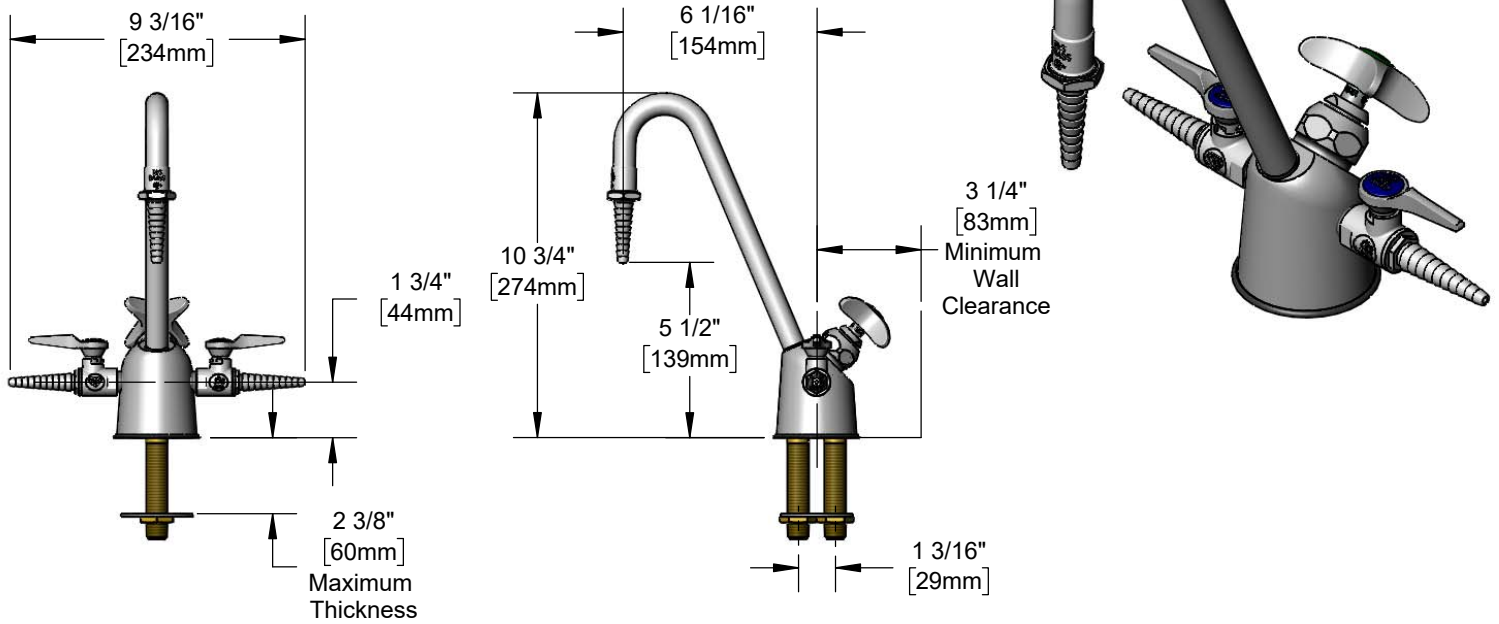
Combination gas and water laboratory turret with polished chrome plated brass body, 6" rigid gooseneck with serrated tip outlet, hose cocks, quarter-turn compression cartridge with spring check, 4-arm handle and 3/8" NPT male gas and water inlets. Certified to ASME A112.18.1 / CSA B125.1, NSF 61- Section 9, NSF 372 and ANSI Z21.15a / CSA 9.1a. Meets ADA ANSI/ICC A117.1 requirements.

Job Name \_\_\_\_\_

Model Specified \_\_\_\_\_ Quantity \_\_\_\_\_

Variations Specified \_\_\_\_\_

Date \_\_\_\_\_



**Features & Benefits:**

- Combination gas and water laboratory turret w/ polished chrome plated brass body
- 6" rigid gooseneck w/ serrated tip outlet
- (2) hose cocks
- Quarter-turn Eterna compression cartridge w/ spring check
- 4-arm handle w/ color coded index
- 3/8" NPT male gas and water inlets
- Material: Polished chrome plated brass body & tubular spout, polished chrome metal handles

**Optional Cartridges With Checks**

- Quarter-Turn Cerama w/ Check Valve
- Quarter-Turn Eterna w/ Spring Check (Standard)

**Optional Handles**

- 4" Wrist Action
- Lever
- 4-Arm (Standard)

**Product Compliance:**

- ASME A112.18.1 / CSA B125.1
- NSF 61 - Section 9
- NSF 372 (Low Lead Content)
- ANSI Z21.15a / CSA 9.1a (Gas Valves)
- ANSI A117.1 (ADA)

**Warranty:** One Year (Limited)

**Performance Data:**

- Pressure:
  - Water: 20 - 125 psi [1.38 - 8.62 bar]
  - Gas: 0.5 psig max [0.03 bar]
- Temperature:
  - Water: 40°F - 140°F [4.44°C - 60°C]
  - Gas: 32°F - 125°F [0°C - 51.7°C]
- Flow Rate:
  - Water: 3.50 GPM [13.25 L/min] @ 60 psi [4.14 bar]



ADA Compliant

