



# T&S BRASS AND BRONZE WORKS, INC.

2 Saddleback Cove / P.O. Box 1088  
Travelers Rest, SC 29690

Model No.

**B-2460**

Item No.

Travelers Rest, SC: 800-476-4103 • Simi Valley, CA: 800-423-0150 • Fax: 864-834-3518 • www.tsbrass.com



**ADA Compliant**

This Space for Architect/Engineer Approval

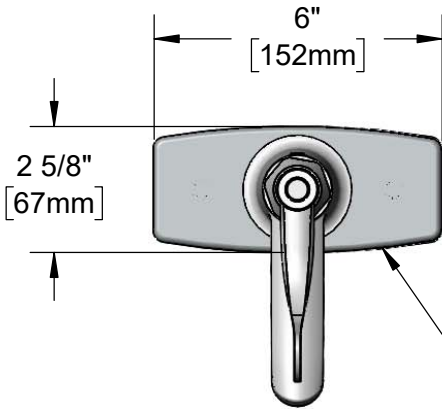
Job Name \_\_\_\_\_ Date \_\_\_\_\_

Model Specified \_\_\_\_\_ Quantity \_\_\_\_\_

Customer/Wholesaler \_\_\_\_\_

Contractor \_\_\_\_\_

Architect/Engineer \_\_\_\_\_

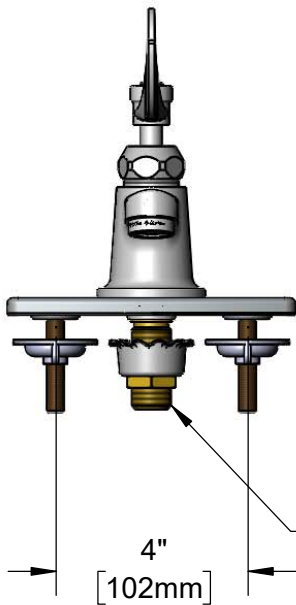


Polished Chrome Plated Deck Plate w/ Deck Gasket



Quarter-Turn Cerama Cartridge w/ Check Valve & 4" Wrist Action Handle w/ Decorative Chrome Cap

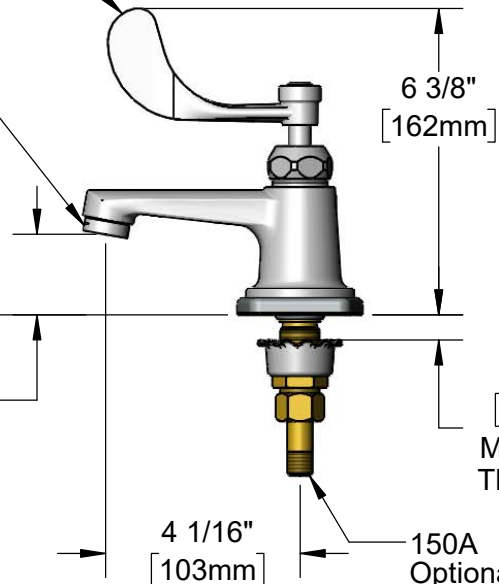
B-0199-08 2.2 GPM Vandal Resistant Aerator



Mounting Surface

1 11/16" [43mm]

1/2" NPSM Male Inlet



6 3/8" [162mm]

1/2" [13mm] Maximum Thickness

4 1/16" [103mm]

150A Optional Tailpiece & Nut For 1/4" NPT Connection (Included)

Rough-In Requirement:  
(3)  $\varnothing$  1 1/8" [29mm] Mounting Holes

**Product Specifications:**

Single Hole Single Temperature Faucet, Quarter-Turn Cerama Cartridge w/ Check Valve, 4" Decorative Wrist Action Handle, 2.2 GPM Vandal Resistant Aerator, Anti-Rotation Deck Plate & 1/2" NPSM Male Inlet

**Product Compliance:**

ASME A112.18.1 / CSA B125.1  
NSF 61 - Section 9  
NSF 372 (Low Lead Content)  
ANSI A117.1 (ADA)

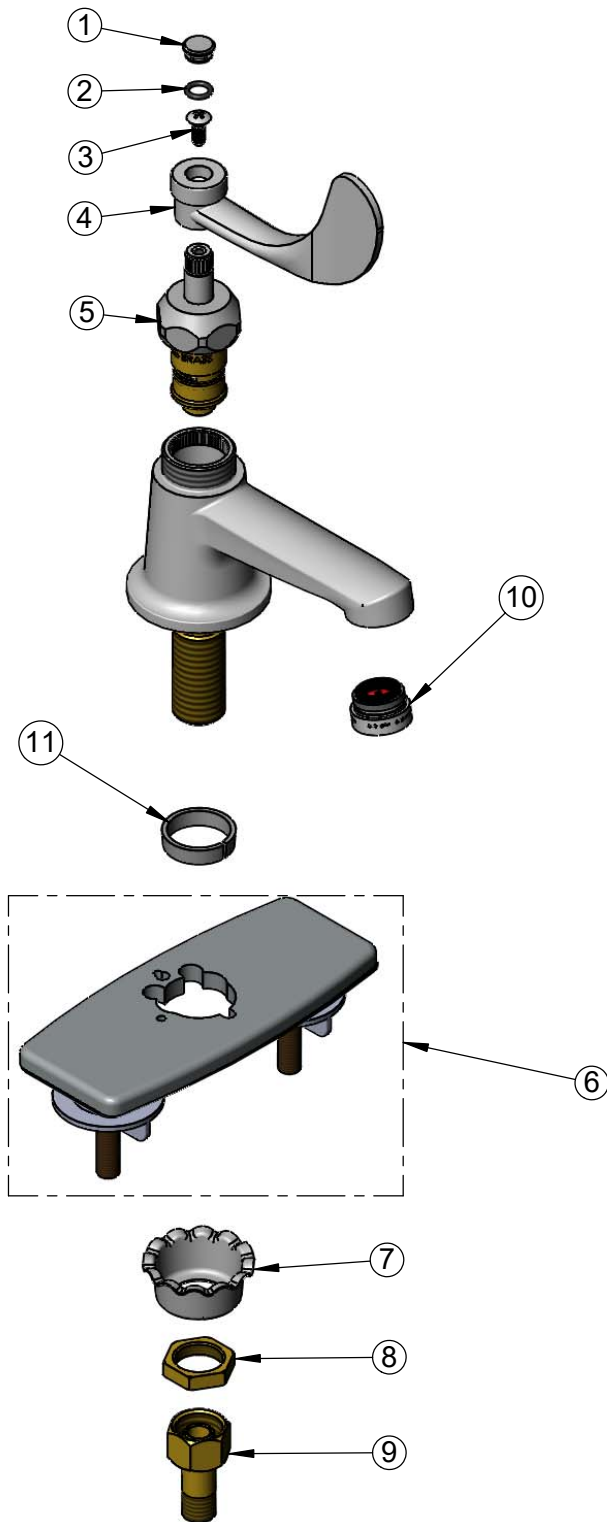


**T&S BRASS AND BRONZE WORKS, INC.**  
 2 Saddleback Cove / P.O. Box 1088  
 Travelers Rest, SC 29690

Model No.  
**B-2460**

Item No.

Travelers Rest, SC: 800-476-4103 • Simi Valley, CA: 800-423-0150 • Fax: 864-834-3518 • www.tsbrass.com



ITEM NO.	SALES NO.	DESCRIPTION
1	009285-40	Cap Insert Blank
2	001066-45	O-Ring
3	000922-45	Lever Handle Screw
4	009188-41	4" Decorative Wrist Action Handle
5	012394-25NS	Quarter-Turn Cerama Cartridge w/ Check Valve, RTC
6	013433-40	4" Universal Deck Plate, Gasket & Mounting Hardware
7	001000-45	Rosette Washer
8	002954-45	Shank Lock Nut
9	150A	1/4" NPT Tailpiece & Nut
10	B-0199-08	VR 2.2 GPM Aerator, 13/16-27 UN Male w/ Key
11	020231-20	Deckplate Spacer



**Product Specifications:**  
 Single Hole Single Temperature Faucet, Quarter-Turn Cerama Cartridge w/ Check Valve, 4" Decorative Wrist Action Handle, 2.2 GPM Vandal Resistant Aerator, Anti-Rotation Deck Plate & 1/2" NPSM Male Inlet

**Product Compliance:**  
 ASME A112.18.1 / CSA B125.1  
 NSF 61 - Section 9  
 NSF 372 (Low Lead Content)  
 ANSI A117.1 (ADA)