



Medical Bedpan Washers

B-0676

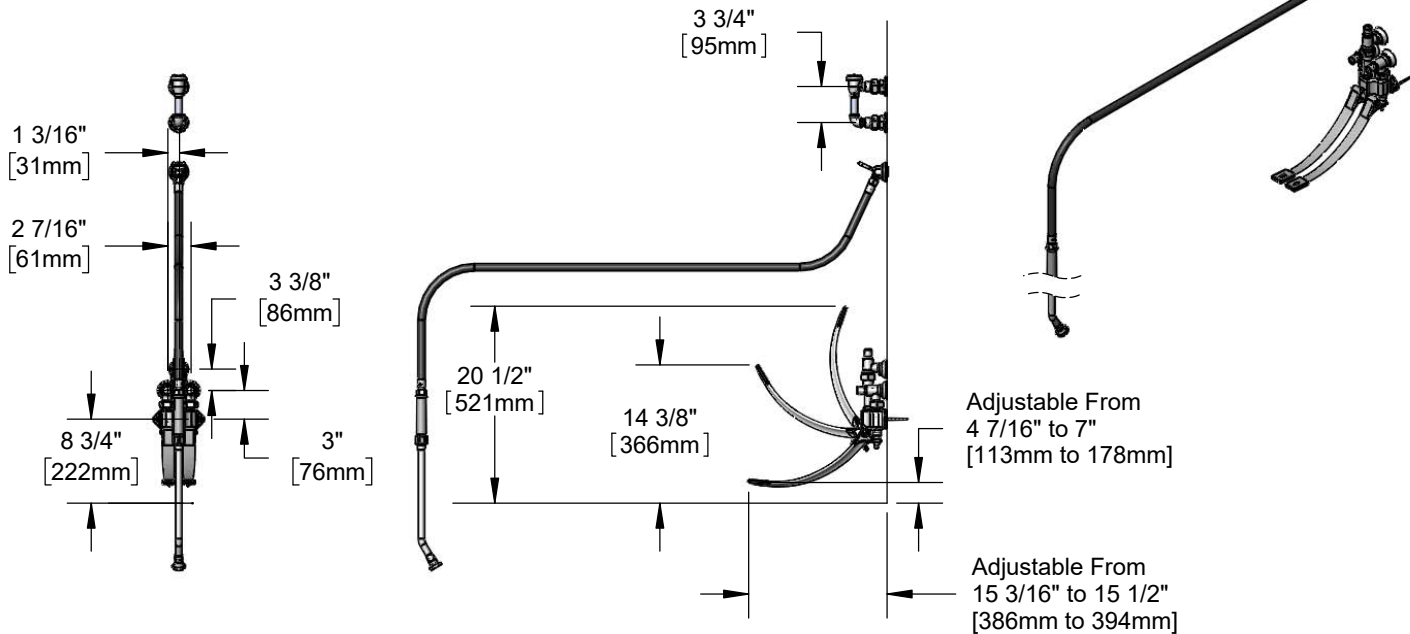
TAG:

Bedpan Washer

Architect/Engineering Specifications:

Wall mount double pedal valve with 1/2" NPT female angled loose key stop inlets, 3/8" NPT female angled loose key stop volume control outlet, elevated atmospheric vacuum breaker with 3/8" NPT female inlet and outlet, wall hook outlet with 3/8" NPT female inlet, 68" PVC hose with heat resistant handle and extended nozzle with 2.2 GPM rosespray. Certified to ASME A112.18.1/CSA B125.1 and ASSE 1001.

Job Name _____
 Model Specified _____ Quantity _____
 Variations Specified _____
 Date _____



Features & Benefits:

- Wall mount double pedal valve with polished chrome plated brass body
- Pedal valve with 1/2" NPT female angled loose key stops
- Volume control valve with 3/8" NPT female outlet on pedal valve
- Wall hook outlet with 3/8" NPT female inlet
- Elevated vacuum breaker with 3/8" female inlet and outlet
- 68" PVC hose with extended spray nozzle w/ 2.2 GPM rosespray
- Material: Polished chrome plated brass body, loose key stops, vacuum breaker, wall hook outlet & extended nozzle, aluminum pedals and reinforced PVC hose.

Product Compliance:

- ASME A112.18.1 / CSA B125.1
- ASSE 1001 (VB)

Warranty: One Year (Limited)

Performance Data:

- Pressure: 20 - 125 psi
- Temperature: 40 °F - 140 °F
- Flow Rate: 2.2 GPM @ 60 psi



T&S BRASS AND BRONZE WORKS, INC.



• 2 Saddleback Cove • Travelers Rest, SC 29690
 Ph 800-476-4103 • Fax 864-834-3518
 • Simi Valley, CA • Ph 800-423-0150 • www.tsbrass.com

Date: 08/01/19