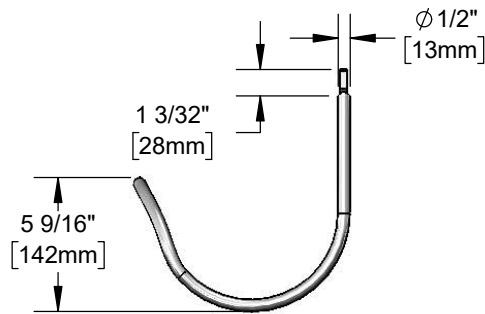
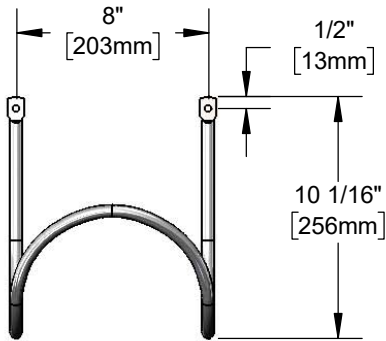




Architect/Engineering Specifications:

Stainless steel washdown hose bracket.

Job Name _____
 Model Specified _____ Quantity _____
 Variations Specified _____
 Date _____



Features & Benefits:

- Stainless steel washdown hose bracket
- Includes: (2) 1/4-20 UN hex cap screws, (2) spacers, and (2) anchors shields
- 003761-45 stainless steel hose bracket mounting plate sold separately
- Material: Stainless steel

Product Compliance:

- N/A

Warranty: One Year (Limited)

Performance Data:

- N/A

