



**T&S BRASS AND BRONZE WORKS, INC.**  
 2 Saddleback Cove / P.O. Box 1088  
 Travelers Rest, SC 29690

Model No.  
**EC-2360**

Item No.

Travelers Rest, SC: 800-476-4103 • Simi Valley, CA: 800-423-0150 • Fax: 864-834-3518 • www.tsbrass.com



**ADA Compliant**



This Space for Architect/Engineer Approval

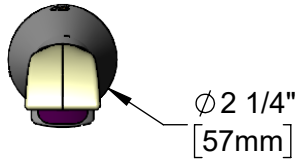
Job Name \_\_\_\_\_ Date \_\_\_\_\_

Model Specified \_\_\_\_\_ Quantity \_\_\_\_\_

Customer/Wholesaler \_\_\_\_\_

Contractor \_\_\_\_\_

Architect/Engineer \_\_\_\_\_



Rubber Mouth Guard



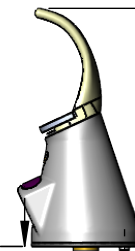
Mounting Surface

1/2" NPSM x 1/4" NPSM  
 18" [457mm] Long Flexible  
 Stainless Steel Hose

24" [610mm]  
 Sensor Cable

Flow Control Valve.  
 Provide Space Above for  
 Adjustment Screw Access.  
 Requires 3/32" Hex Key  
 (Not Included)

Removable  
 Strainer



4 15/16"  
 [126mm]

Rubber Deck  
 Gasket

Removable Ø 3/16"  
 Anti-Rotation Pin

1/2"  
 [13mm]  
 Maximum  
 Thickness

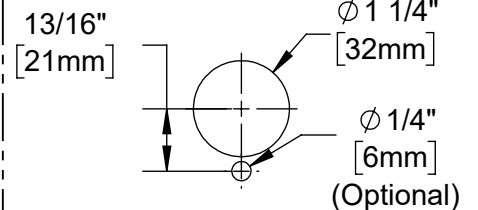
13/16"  
 [20mm]

4" x 4 3/8" x 2" Deep  
 [102mm x 111mm x 51mm]  
 Water Resistant Control Module Box (Grey)  
 w/ Internal Flow Control Setting  
 Switches, AC or DC Operated w/ (4) AA Batteries.  
 Hardwire Capable Using Terminals on Back

100-240 VAC Adapter  
 w/ 71" [1830mm] Long  
 Power Cable

3/8" Compression x 1/2" NPSM  
 18" [457mm] Flexible Stainless Steel  
 Supply Hose

Mounting Hole  
 Detail



**Product Specifications:**

Chrome Plated Brass Electronic Bubbler: Single Hole, Deck Mount, Rubber Mouth Guard, AC/DC Control Module w/ Internal Flow Control Setting Switches, Flow Control Valve & 18" Long Flexible Connector Hose

**Product Compliance:**

ASME A112.18.1 / CSA B125.1  
 NSF 61 - Section 9  
 NSF 372 (Low Lead Content)  
 ANSI A117.1 (ADA)  
 UL 1951



# T&S BRASS AND BRONZE WORKS, INC.

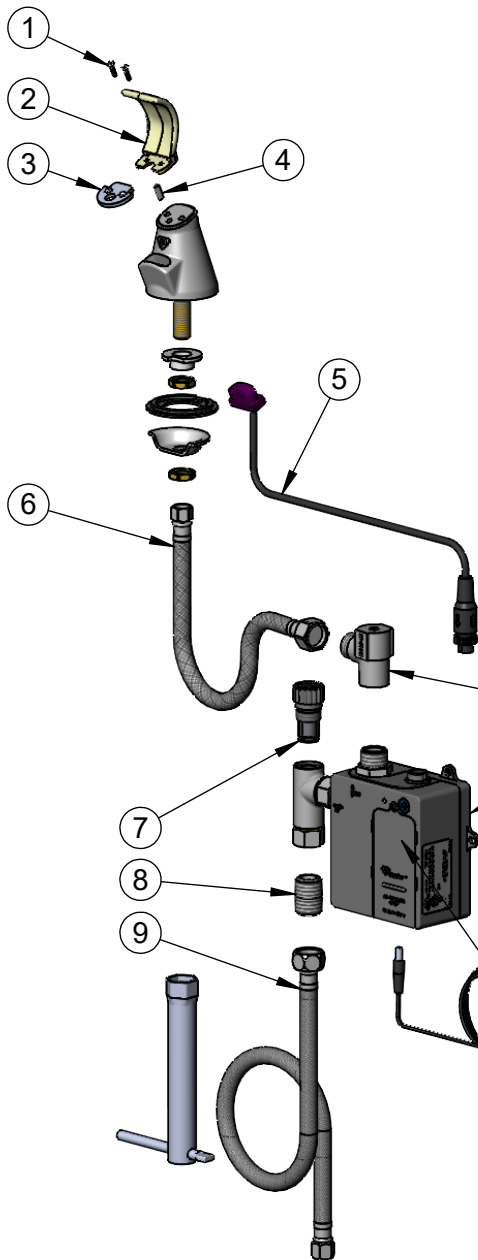
2 Saddleback Cove / P.O. Box 1088  
Travelers Rest, SC 29690

Model No.

**EC-2360**

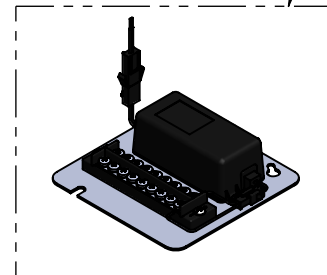
Item No.

Travelers Rest, SC: 800-476-4103 • Simi Valley, CA: 800-423-0150 • Fax: 864-834-3518 • www.tsbrass.com



ITEM NO.	SALES NO.	DESCRIPTION
1	009598-45	Mouth Guard Screw (2)
2	009595-45	Rubber Mouth Guard
3	009596-40	Mouth Guard Holder
4	009594-45	Flow Straightener
5	5EF-0004C	Sensor Cable Assembly - Curved Lens
6	016297-45	Inlet Hose, Faucet, 1/2" NPSM-F x 1/4" NPSM-F
7	EC-FILTER	Replacement Filter
8	002534-25	Close Nipple, 1/2" NPT
9	5EF-0005	Supply Hose, 9/16-24 Female x 1/2" NPSM
10	5EF-0002C	AC Adapter - US Plug
11	019944-45	ChekPoint Control Module w/ Filter Tee
12	020672-40	Flow Control Valve

A Maximum of (8) ChekPoint Faucets can be Hardwire Connected and Powered by EC-HARDWIRE ChekPoint Hardwire AC Transformer. (Sold Separately)



Flow Control DIP Switches are Located Behind Battery Compartment Cover.

\* Switches are Set to DEFAULT Position:

- Auto Time Out = 15 Seconds
- Shut Off Delay = 1 Second
- Auto Flush = OFF
- Metering Mode = OFF

**\*Available Water Flow Control Selections:**

- Auto Time Out: 15 sec, 30 sec, 45 sec, 60 sec, 3 min, 20 min
- Shut Off Delay: 1 sec, 10 sec, 15 sec, 30 sec
- Auto Flush (30 Seconds After Every 12 Inactive Hours): ON or OFF
- Metering Mode: ON or OFF

**Product Specifications:**

Chrome Plated Brass Electronic Bubbler: Single Hole, Deck Mount, Rubber Mouth Guard, AC/DC Control Module w/ Internal Flow Control Setting Switches, Flow Control Valve & 18" Long Flexible Connector Hose

**Product Compliance:**

ASME A112.18.1 / CSA B125.1  
NSF 61 - Section 9  
NSF 372 (Low Lead Content)  
ANSI A117.1 (ADA)  
UL 1951