

## SINGLE LEVER, SINGLE HOLE AND ESCUTCHEON

**BP-2704, BP-2704-BN**  
**BP-2712, BP-2712-BN**

### Installation and Maintenance Instructions

#### Limited One Year Warranty (Commercial Applications)

T&S warrants to the original purchaser (other than for purposes of resale) that such product is free from defects in material and workmanship for a period of one (1) year from the date of purchase. During this one-year warranty period, if the product is found to be defective, T&S shall, at its options, repair and/or replace it. To obtain warranty service, products must be returned to...

*T&S Brass and Bronze Works, Inc.  
Attn: Warranty Repair Department  
2 Saddleback Cove  
Travelers Rest, SC 29690*

Shipping, freight, insurance, and other transportation charges of the product to T&S and the return of repaired or replaced product to the purchaser are the responsibility of the purchaser. Repair and/ or replacement shall be made within a reasonable time after receipt by T&S of the returned product. This warranty does not cover Items which have received secondary finishing or have been altered or modified after purchase, or for defects caused by physical abuse to or misuse of the product, or shipment of the products.

Any express warranty not provided herein, and any remedy for Breach of Contract which might arise, is hereby excluded and disclaimed. Any implied warranties of merchantability or fitness for a particular purpose are limited to one year in duration. Under no circumstances shall T&S be liable for loss of use or any special consequential costs, expenses or damages.

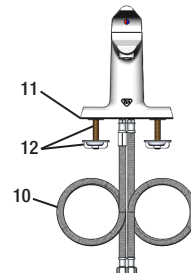
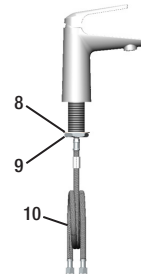
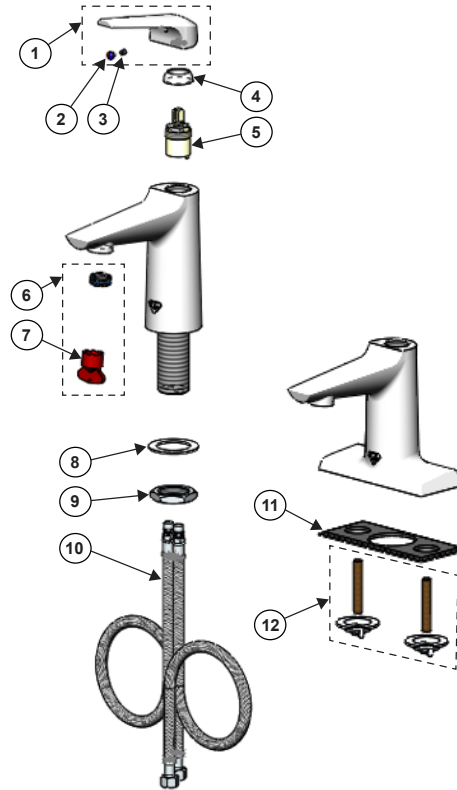
Some states do not allow limitations on how long and implied warranty lasts or the exclusion or limitation of incidental or consequential damages, so the above limitations or exclusions may not apply to you. Specific rights under this warranty and other rights vary from state to state.

#### ⚠ Attention California Residents:

**WARNING** This product can expose you to chemicals including Lead, Chromium (hexavalent compounds) and Phthalates (DEHP) which are known to the State of California to cause cancer and birth defects or other reproductive harm.

For more information go to  
[www.P65Warnings.ca.gov](http://www.P65Warnings.ca.gov).

P/N: 098-020632-45 Rev.1  
DATE: 09-01-23  
DRAWN: TED  
CHECKED: JRM 09-01-23  
APPROVED: JHB 09-01-23



#### Single Lever Assembly

1	Single Lever Handle	
	Polished Chrome	020515-40
	Brushed Nickel	020515-60
2	Index, Temperature	014173-45
3	Set Screw, Cone Point	021098-45
4	Trim Ring	
	Polished Chrome	020516-40
	Brushed Nickel	020516-60
5	Ceramic Cartridge	020518-45
6	0.5 GPM Hidden Spray Device, M21.5 x 1	B-0199-M21-V05
7	M21.5 x 1 Red Cache Key	020674-45
8	Washer, Stainless Steel	020656-20
9	Lock Nut	020655-20
10	19" Flexible Supply Hose (2)	019969-45
11	6" Deck Gasket	020797-45
12	Kit, Side Mounting Post with Lock Nut	014162-45

#### Installation Without Escutcheon:

1. Shut off water supply and drain lines. Clean sink surface thoroughly.
2. Remove no.8 and no.9 from shank.
3. Place both no.10's through hole.
4. Place no.8 and no.9 on the shank and tighten fully.
5. Connect supply lines and check for leaks.

#### Installation With Escutcheon:

1. Shut off water supply and drain lines. Clean sink surface thoroughly.
2. Remove both no.12's and place both no.10's through hole.
3. Ensure no.11 deck gasket is seated between faucet and deck.
4. Replace no.12's and tighten fully.
5. Connect supply lines and check for leaks.