



T&S BRASS AND BRONZE WORKS, INC.

2 Saddleback Cove / P.O. Box 1088
Travelers Rest, SC 29690

Model No.

HG-4D-48SEL-PS

Item No.

Travelers Rest, SC: 800-476-4103 • Simi Valley, CA: 800-423-0150 • Fax: 864-834-3518 • www.tsbrass.com

This Space for Architect/Engineer Approval

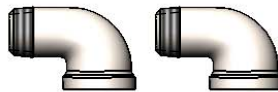
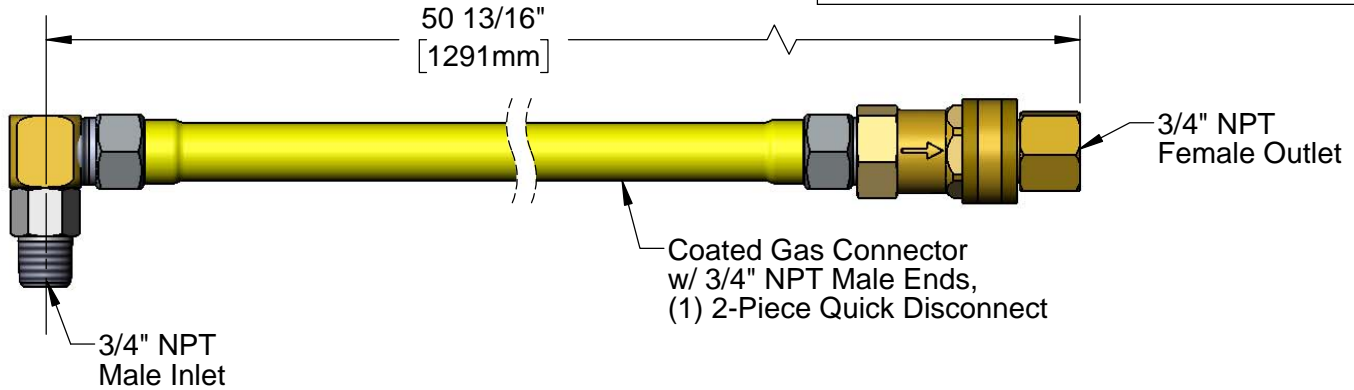
Job Name _____ Date _____

Model Specified _____ Quantity _____

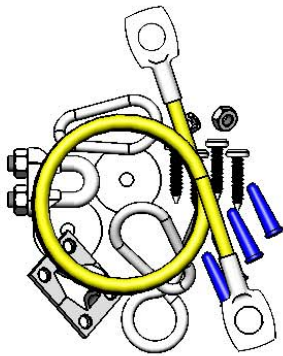
Customer/Wholesaler _____

Contractor _____

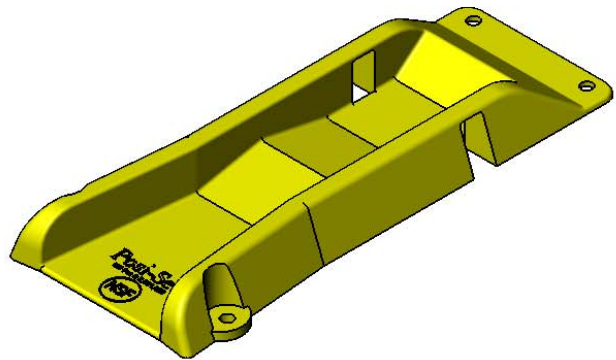
Architect/Engineer _____



(2) 3/4" NPT Street Els
(Included)



AG-RC
5' Restraining Cable Kit
(Included)



(2) Posi-Set Appliance
Locating Devices
(Mounting Hardware Included)

Product Specifications:

Safe-T-Link Gas Appliance Connector:
3/4" NPT x 48" Coated Hose, 3/4" Quick Disconnect, 3/4" NPT Street Elbows, 5' Restraining Cable Kit & Posi-Set Locating Devices

Product Compliance:

ANSI Z21.69 / CSA 6.16
NSF 2
NFPA 54