



T&S BRASS AND BRONZE WORKS, INC.

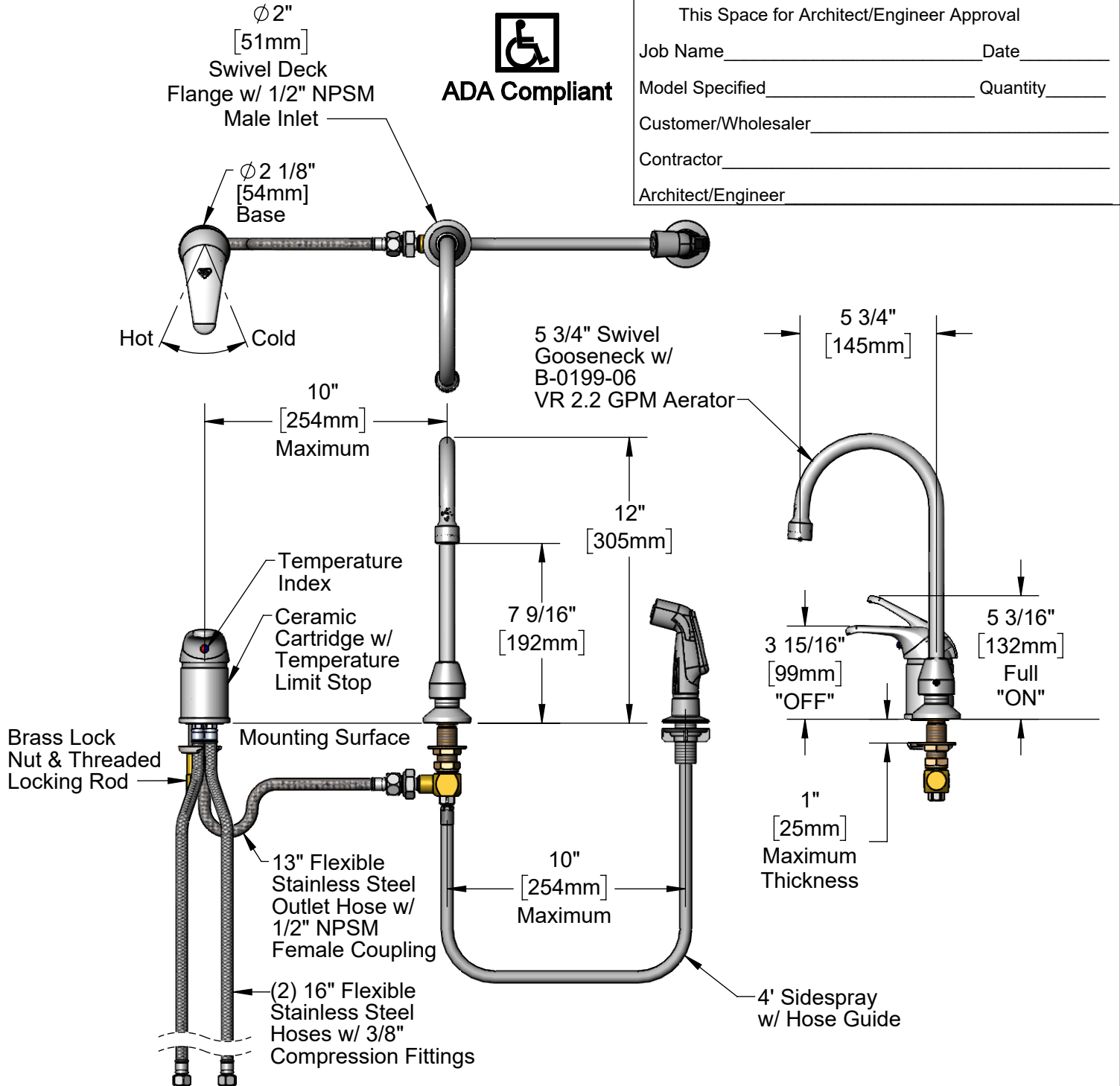
2 Saddleback Cove / P.O. Box 1088
Travelers Rest, SC 29690

Model No.

B-2743

Item No.

Travelers Rest, SC: 800-476-4103 • Simi Valley, CA: 800-423-0150 • Fax: 864-834-3518 • www.tsbrass.com



This Space for Architect/Engineer Approval

Job Name _____ Date _____

Model Specified _____ Quantity _____

Customer/Wholesaler _____

Contractor _____

Architect/Engineer _____

Rough-In Requirement:
 Side Mount: $\phi 1 \frac{1}{2}$ " [38mm] Mounting Hole
 Swivel Deck Flange & Sidespray: $\phi 1$ " [25mm] Mounting Holes

Product Specifications:
 Single Lever Side Mount Faucet, Ceramic Cartridge, Remote On/Off Control Base, Swivel Gooseneck, Vandal Resistant 2.2 GPM Aerator, 4' Sidespray & (2) 16" Flexible Stainless Steel Supply Hoses

Product Compliance:
 ASME A112.18.1 / CSA B125.1
 NSF 61 - Section 9
 NSF 372 (Low Lead Content)
 ANSI A117.1 (ADA)



T&S BRASS AND BRONZE WORKS, INC.

2 Saddleback Cove / P.O. Box 1088
Travelers Rest, SC 29690

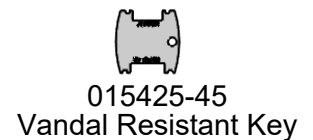
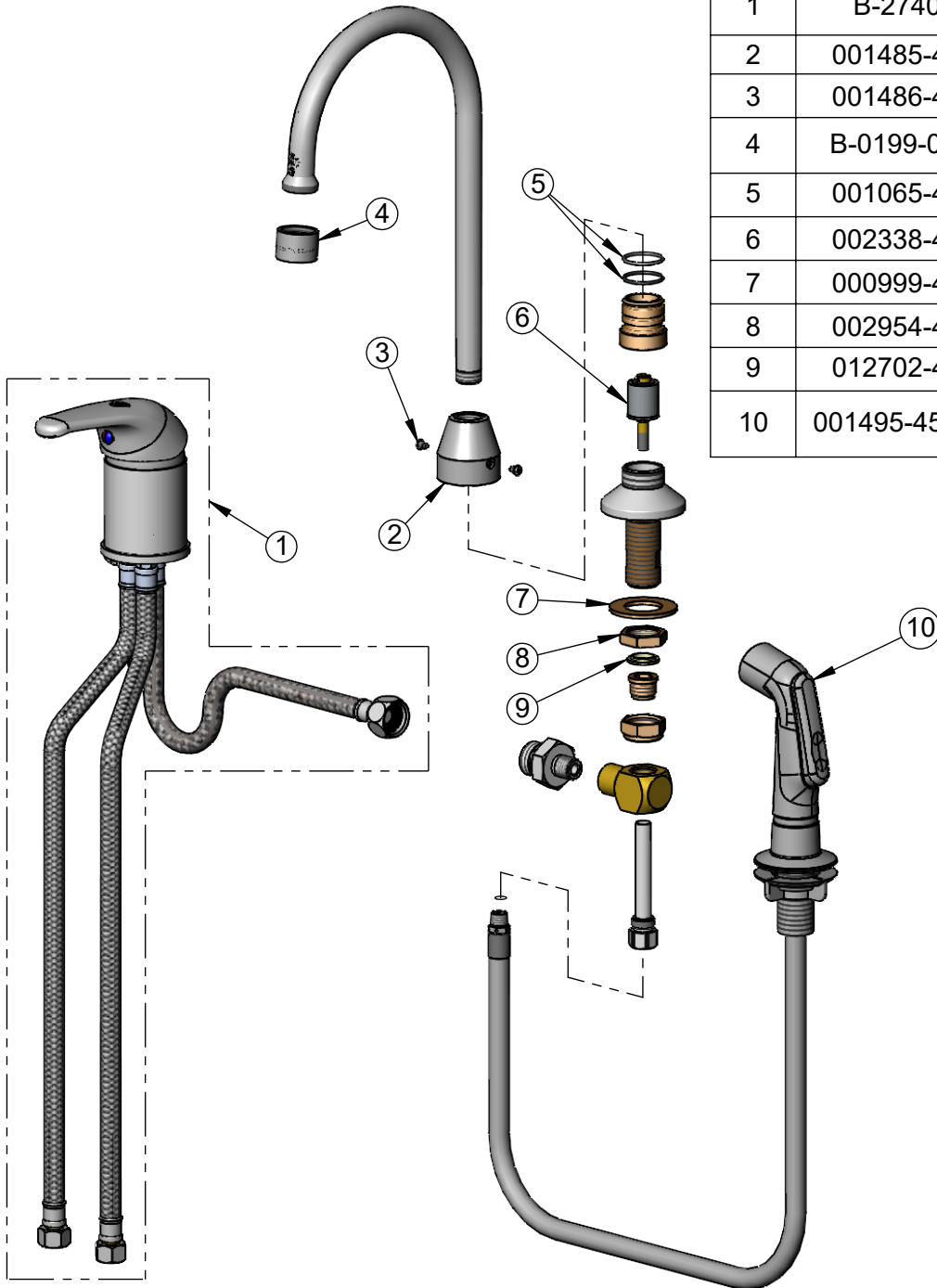
Model No.

B-2743

Item No.

Travelers Rest, SC: 800-476-4103 • Simi Valley, CA: 800-423-0150 • Fax: 864-834-3518 • www.tsbrass.com

ITEM NO.	SALES NO.	DESCRIPTION
1	B-2740	Side Mount Single Lever Control Faucet
2	001485-40	Diverter Cover
3	001486-45	Diverter Cover Screw
4	B-0199-06	VR 2.2 GPM Aerator, 55/64-27 UN Female w/ Key
5	001065-45	O-Ring
6	002338-45	Valve Diverter Piston
7	000999-45	Brass Lock Washer
8	002954-45	Shank Lock Nut
9	012702-45	Washer, Cross Body
10	001495-45NS	4' Sidespray & Hose Guide, New Style



Product Specifications:

Single Lever Side Mount Faucet, Ceramic Cartridge, Remote On/Off Control Base, Swivel Gooseneck, Vandal Resistant 2.2 GPM Aerator, 4' Sidespray & (2) 16" Flexible Stainless Steel Supply Hoses

Product Compliance:

ASME A112.18.1 / CSA B125.1
NSF 61 - Section 9
NSF 372 (Low Lead Content)
ANSI A117.1 (ADA)