



# T&S BRASS AND BRONZE WORKS, INC.

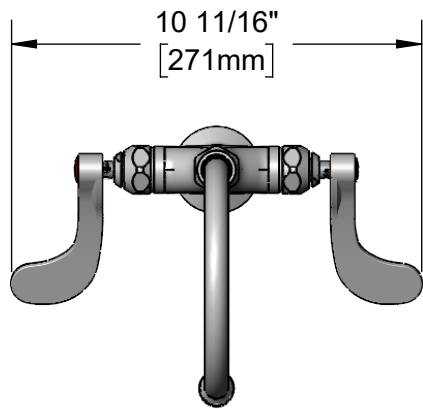
2 Saddleback Cove / P.O. Box 1088  
Travelers Rest, SC 29690

Model No.

**B-0300-WH4**

Item No.

Travelers Rest, SC: 800-476-4103 • Simi Valley, CA: 800-423-0150 • Fax: 864-834-3518 • www.tsbrass.com



**ADA Compliant**

This Space for Architect/Engineer Approval

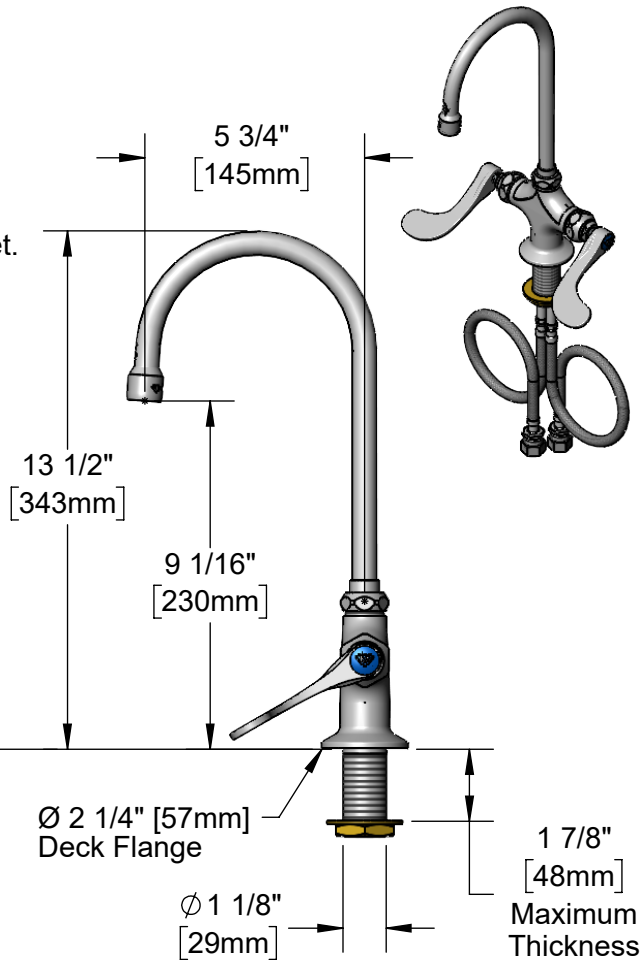
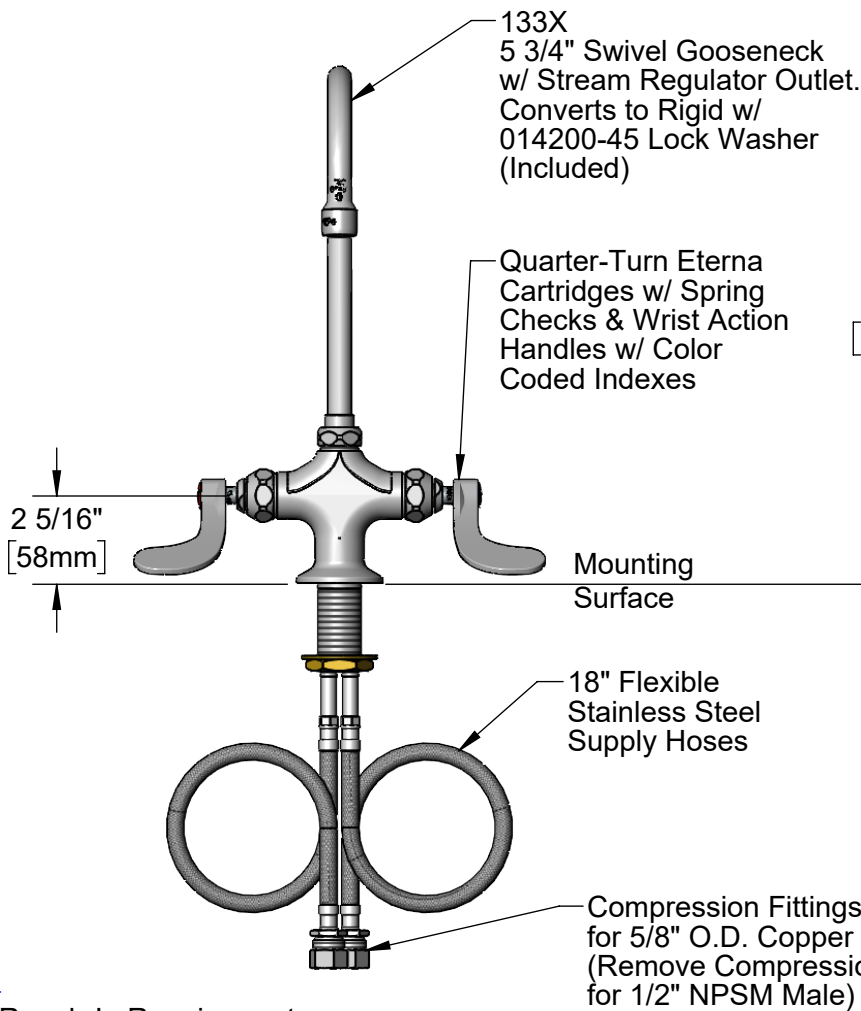
Job Name \_\_\_\_\_ Date \_\_\_\_\_

Model Specified \_\_\_\_\_ Quantity \_\_\_\_\_

Customer/Wholesaler \_\_\_\_\_

Contractor \_\_\_\_\_

Architect/Engineer \_\_\_\_\_



**Rough-In Requirement:**  
Ø 1 1/2" [38mm] Mounting Hole

**Product Specifications:**

Single Hole Deck Mount Mixing Faucet, Quarter-Turn Eterna Cartridges w/ Spring Checks, 4" Wrist Action Handles, 5 3/4" Swivel/Rigid Gooseneck & 18" Flexible Stainless Steel Supply Hoses w/ 1/2" NPSM Male Inlets

**Product Compliance:**

ASME A112.18.1 / CSA B125.1  
NSF 61 - Section 9  
NSF 372 (Low Lead Content)  
ANSI A117.1 (ADA)



# T&S BRASS AND BRONZE WORKS, INC.

2 Saddleback Cove / P.O. Box 1088  
Travelers Rest, SC 29690

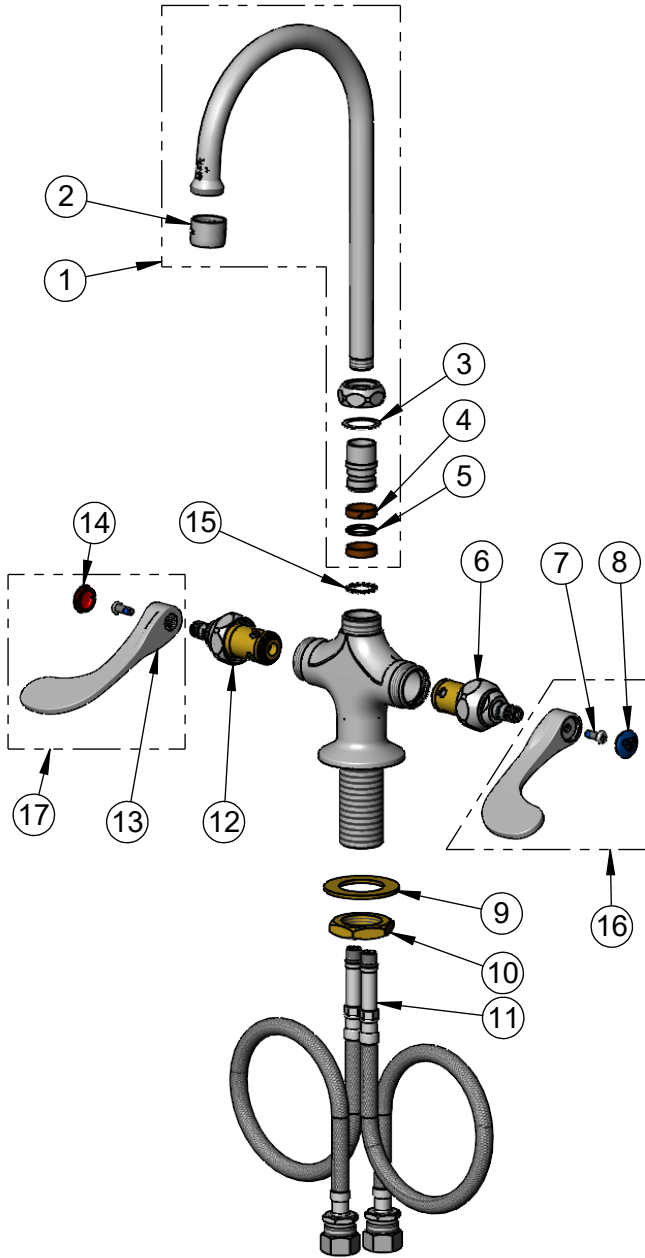
Model No.

**B-0300-WH4**

Item No.

Travelers Rest, SC: 800-476-4103 • Simi Valley, CA: 800-423-0150 • Fax: 864-834-3518 • www.tsbrass.com

ITEM NO.	SALES NO.	DESCRIPTION
1	133X	5 3/4" Swivel Gooseneck
2	B-PT	Full Flow Stream Regulator, 55/64-27
3	009538-45	Swivel Washer
4	011429-45	Swivel Sleeves (2)
5	001074-45	O-Ring
6	012442-40NS	Quarter-Turn Eterna Cartridge w/ Check Valve, LTC
7	000925-45	Lab Handle Screw
8	018506-19NS	Blue Button Index, Press-in
9	002290-45	Lock Washer
10	000965-45	Lock Nut
11	012436-45	Flexible Connector Hose
12	012443-40NS	Quarter-Turn Eterna Cartridge w/ Check Valve, RTC
13	B-WH4-NS	Wrist Action Handle - New Style
14	001193-19NS	Red Button Index, Press-in
15	014200-45	Star Washer, Anti-Rotation
16	B-WH4C-NS	Wrist Action Handle, Blue Index & Screw
17	B-WH4H-NS	Wrist Action Handle, Red Index & Screw



**Product Specifications:**

Single Hole Deck Mount Mixing Faucet, Quarter-Turn Eterna Cartridges w/ Spring Checks, 4" Wrist Action Handles, 5 3/4" Swivel/Rigid Gooseneck & 18" Flexible Stainless Steel Supply Hoses w/ 1/2" NPSM Male Inlets

**Product Compliance:**

ASME A112.18.1 / CSA B125.1  
NSF 61 - Section 9  
NSF 372 (Low Lead Content)  
ANSI A117.1 (ADA)