



T&S BRASS AND BRONZE WORKS, INC.

2 Saddleback Cove / P.O. Box 1088
Travelers Rest, SC 29690

Model No.

013433-40

Item No.

Travelers Rest, SC: 800-476-4103 • Simi Valley, CA: 800-423-0150 • Fax: 864-834-3518 • www.tsbrass.com

This Space for Architect/Engineer Approval

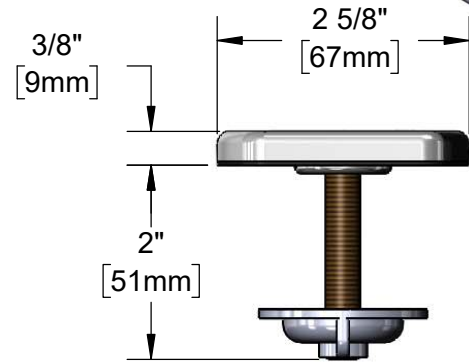
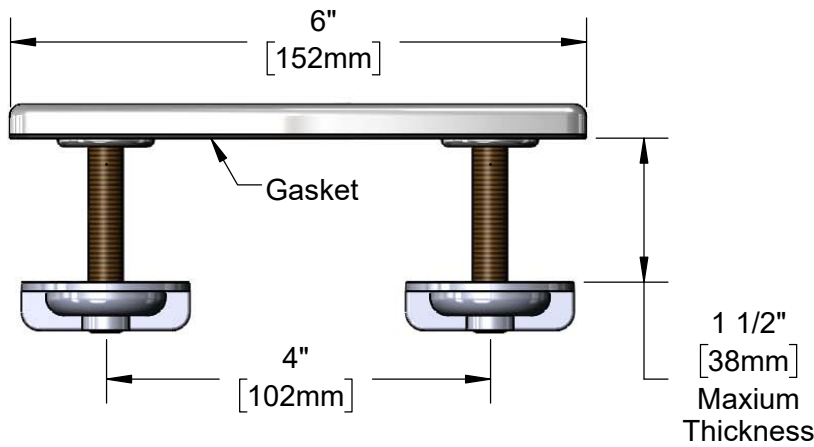
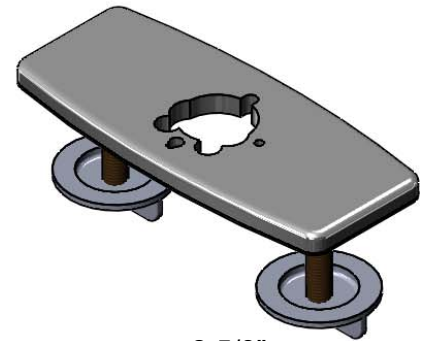
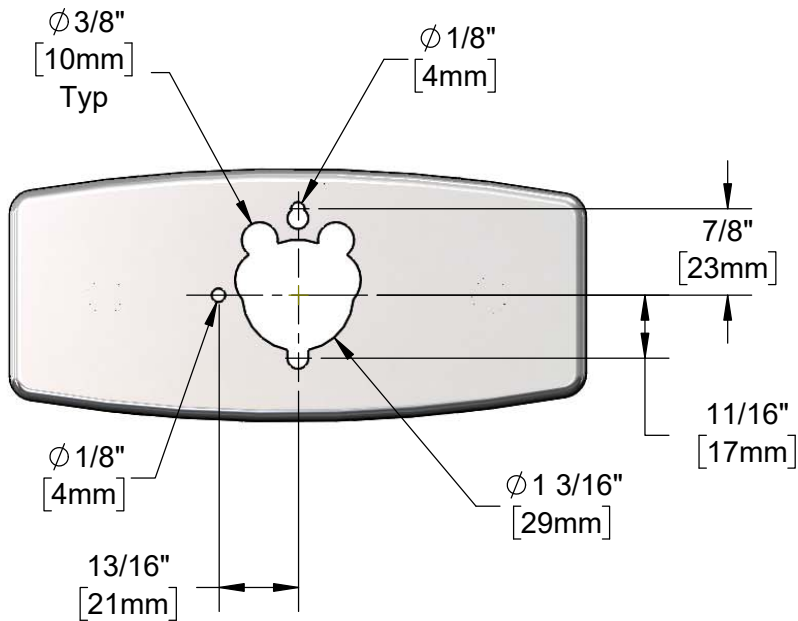
Job Name _____ Date _____

Model Specified _____ Quantity _____

Customer/Wholesaler _____

Contractor _____

Architect/Engineer _____



Notes:

"Old-Style" B-0712/B-2460 Series Faucets (Produced Before April 2020)
Require the 019369-25 Base Ring and Deck Plate Spacer (Sold Separately).

"New-Style" B-0712/B-2460 Series Faucets (Produced Since April 2020)
Require the 020231-20 Deck Plate Spacer (Sold Separately).

Rough-In Requirement:

- Ø 1" [25mm] Center Hole
- (2) Ø 1 1/8" [28mm] Mounting Holes

Product Specifications:

4" Forged Deck Plate w/ Mounting Hardware
(Chrome Plated Brass)

Product Compliance: