



T&S BRASS AND BRONZE WORKS, INC.

2 Saddleback Cove / P.O. Box 1088
Travelers Rest, SC 29690

Model No.

B-0305-CR-TL

Item No.

Travelers Rest, SC: 800-476-4103 • Simi Valley, CA: 800-423-0150 • Fax: 864-834-3518 • www.tsbrass.com



ADA Compliant

This Space for Architect/Engineer Approval

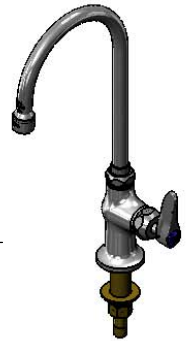
Job Name _____ Date _____

Model Specified _____ Quantity _____

Customer/Wholesaler _____

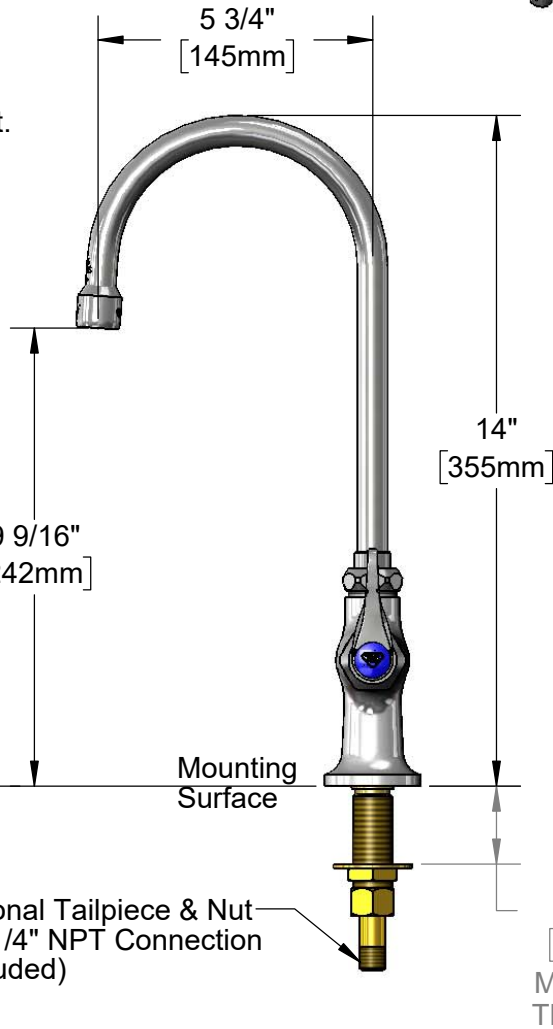
Contractor _____

Architect/Engineer _____



5 3/4" Swivel Gooseneck w/ Stream Regulator Outlet. Converts to Rigid w/ 014200-45 Lock Washer (Included)

Tin-Lined Quarter-Turn Cerama Cartridge w/ Check Valve & Lever Handle w/ Color Coded Index



Ø2" [51mm] Flange

1/2" NPSM Male Inlet

Optional Tailpiece & Nut For 1/4" NPT Connection (Included)

1 5/8" [41mm] Maximum Thickness

Rough-In Requirement:
Ø 1" [25mm] Mounting Hole

Product Specifications:

Single Hole Single Temperature Tin Lined Deck Mount Faucet, Tin-Lined Quarter-Turn Cerama Cartridge w/ Check Valve, Lever Handle, 5 3/4" Swivel / Rigid Gooseneck w/ Stream Regulator Outlet & 1/2" NPSM Male Inlet

Product Compliance:

ASME A112.18.1 / CSA B125.1
NSF 372 (Low Lead Content)
ANSI A117.1 (ADA)



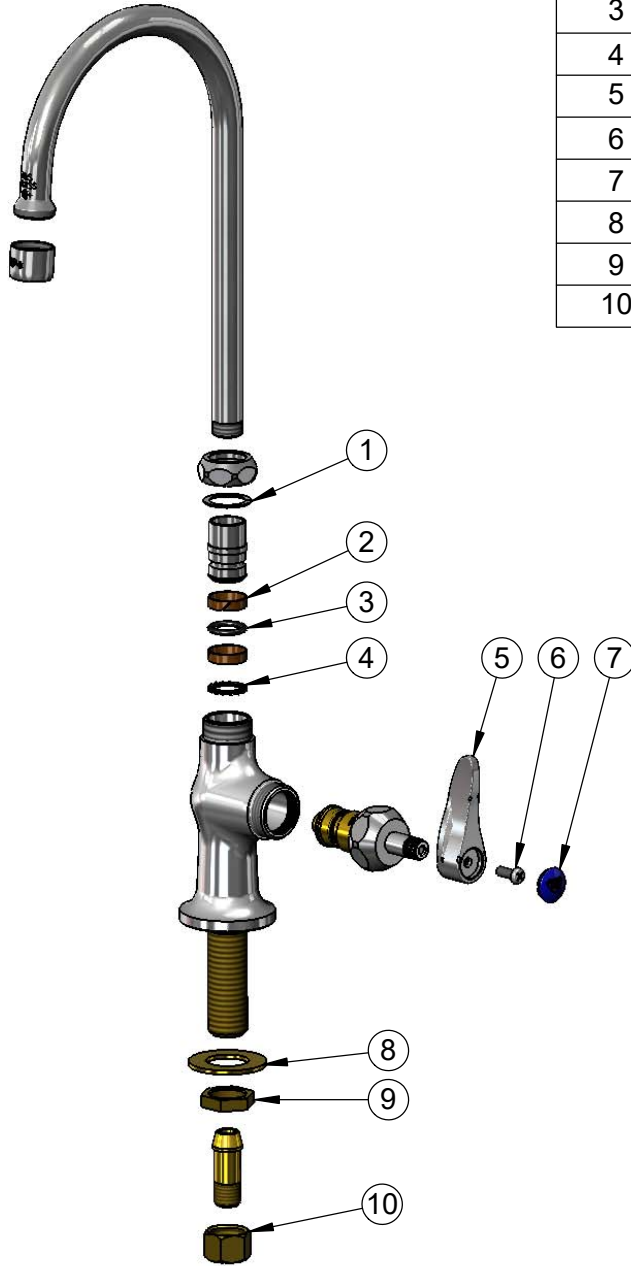
T&S BRASS AND BRONZE WORKS, INC.
 2 Saddleback Cove / P.O. Box 1088
 Travelers Rest, SC 29690

Model No.
B-0305-CR-TL

Item No.

Travelers Rest, SC: 800-476-4103 • Simi Valley, CA: 800-423-0150 • Fax: 864-834-3518 • www.tsbrass.com

ITEM NO.	SALES NO.	DESCRIPTION
1	009538-45	Swivel Washer
2	011429-45	Swivel Sleeves (2)
3	001074-45	O-Ring
4	014200-45	Star Washer, Anti-Rotation
5	001638-45NS	Lever Handle (New Style)
6	000925-45	Lab Handle Screw
7	018506-19NS	Blue Button Index, Press-in
8	000999-45	Brass Lock Washer
9	002954-45	Shank Lock Nut
10	000958-20	Coupling Nut



Product Specifications:

Single Hole Single Temperature Tin Lined Deck Mount Faucet, Tin-Lined Quarter-Turn Cerama Cartridge w/ Check Valve, Lever Handle, 5 3/4" Swivel / Rigid Gooseneck w/ Stream Regulator Outlet & 1/2" NPSM Male Inlet

Product Compliance:

ASME A112.18.1 / CSA B125.1
 NSF 372 (Low Lead Content)
 ANSI A117.1 (ADA)