



T&S BRASS AND BRONZE WORKS, INC.
 2 Saddleback Cove / P.O. Box 1088
 Travelers Rest, SC 29690

Model No.
B-1141-XSCR4V22

Item No.

Travelers Rest, SC: 800-476-4103 • Simi Valley, CA: 800-423-0150 • Fax: 864-834-3518 • www.tsbrass.com



ADA Compliant

This Space for Architect/Engineer Approval

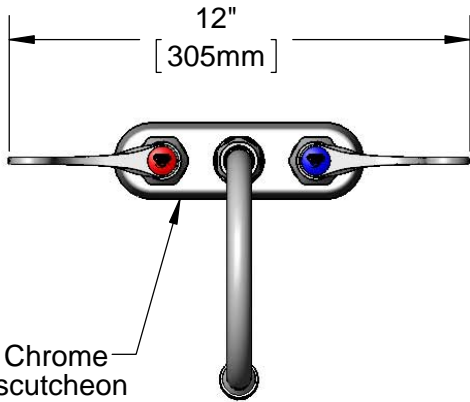
Job Name _____ Date _____

Model Specified _____ Quantity _____

Customer/Wholesaler _____

Contractor _____

Architect/Engineer _____



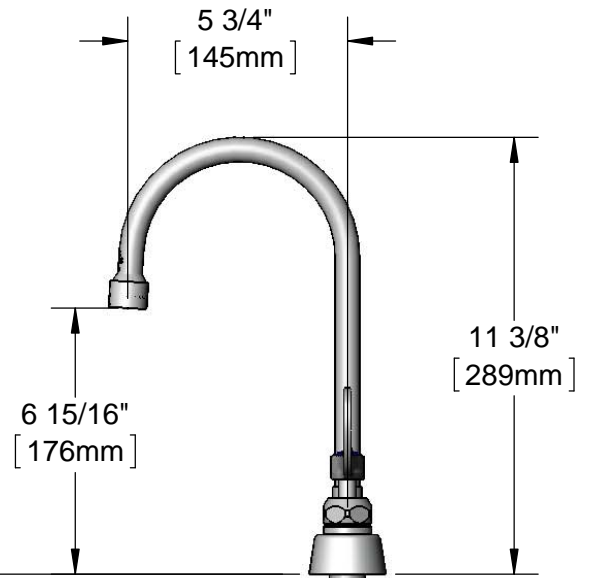
Polished Chrome
Plated Escutcheon



133X-V22
6" Swivel Gooseneck
w/ 2.2 GPM
Vandal Resistant
Aerator

Quarter-Turn Cerama
Cartridges w/ Check Valves
& Wrist Actions Handles w/
Color Coded Indexes w/
Vandal Resistant Screws

Swivel Joint
Converts to Rigid
w/ 014200-45
Lock Washer
(Included)



4 7/8"
[123mm]

1"
[26mm]

6 15/16"
[176mm]

11 3/8"
[289mm]

Mounting
Surface

1 1/8"
[29mm]
Maximum
Thickness

4"
[102mm]

2 5/8"
[66mm]

1/2" NPSM
Male Inlets

(2) 150A
Optional Tailpieces &
Nuts for 1/4" NPT
Connection (Included)

Rough-In Requirement:
(2) ϕ 1" [25mm] Mounting Holes

Product Specifications:

4" Deck Mount Workboard Faucet, Quarter-Turn Cerama Cartridges w/ Check Valves, 4" Wrist Action Handles w/ Vandal Resistant Screws, 6" Swivel Gooseneck, 2.2 GPM Vandal Resistant Aerator & 1/2" NPSM Extended Male Inlets

Product Compliance:

ASME A112.18.1 / CSA B125.1
 NSF 61- Section 9
 NSF 372 (Low Lead Content)
 ANSI A117.1 (ADA)



T&S BRASS AND BRONZE WORKS, INC.

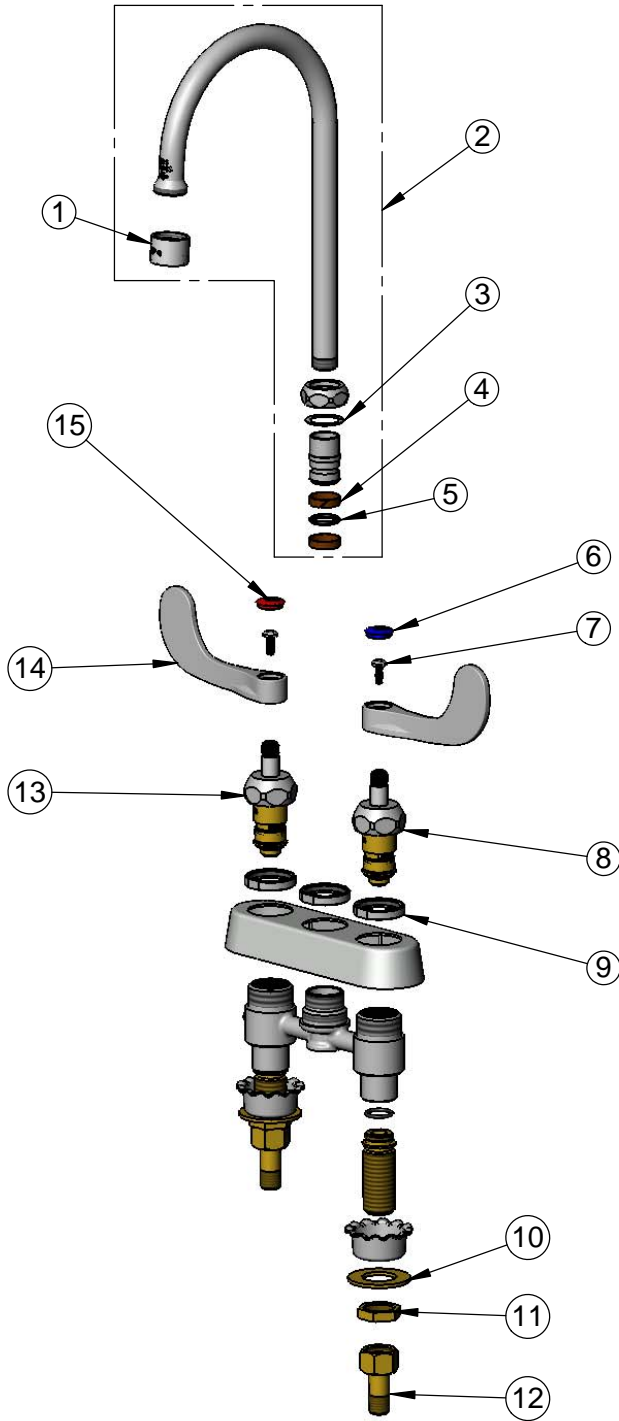
2 Saddleback Cove / P.O. Box 1088
Travelers Rest, SC 29690

Model No.

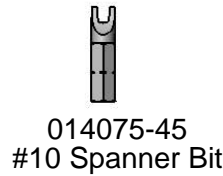
B-1141-XSCR4V22

Item No.

Travelers Rest, SC: 800-476-4103 • Simi Valley, CA: 800-423-0150 • Fax: 864-834-3518 • www.tsbrass.com



ITEM NO.	SALES NO.	DESCRIPTION
1	B-0199-06	VR 2.2 GPM Aerator w/ Key
2	133X-V22	Swivel Gooseneck w/ 2.2 GPM VR Aerator
3	009538-45	Swivel Washer
4	011429-45	Swivel Sleeves (2)
5	001074-45	O-Ring
6	018506-19NS	Blue Button Index, Press-in
7	VRS-2	VR Wrist Action Handle Screw (2) w/ Spanner Bit
8	012395-25NS	Quarter-Turn Cerama Cartridge w/ Check Valve, LTC
9	019376-40	Escutcheon Lock Nut
10	000999-45	Brass Lock Washer
11	002954-45	Shank Lock Nut
12	150A	1/4" NPT Tailpiece
13	012394-25NS	Quarter-Turn Cerama Cartridge w/ Check Valve, RTC
14	B-WH4-NS	Wrist Action Handle (New Style)
15	001193-19NS	Red Button Index, Press-in



Product Specifications:

4" Deck Mount Workboard Faucet, Quarter-Turn Cerama Cartridges w/ Check Valves, 4" Wrist Action Handles w/ Vandal Resistant Screws, 6" Swivel Gooseneck, 2.2 GPM Vandal Resistant Aerator & 1/2" NPSM Extended Male Inlets

Product Compliance:

ASME A112.18.1 / CSA B125.1
NSF 61- Section 9
NSF 372 (Low Lead Content)
ANSI A117.1 (ADA)