


ADA Compliant

This Space for Architect/Engineer Approval

Job Name _____ Date _____

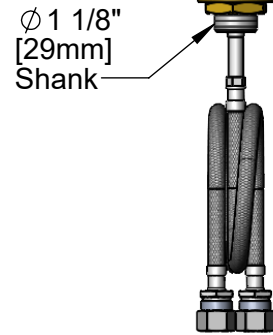
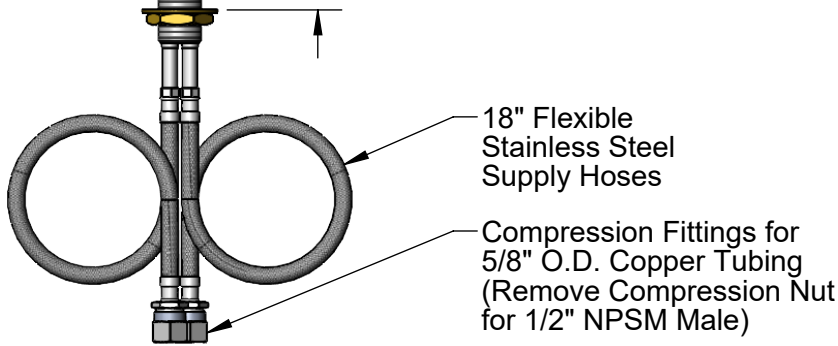
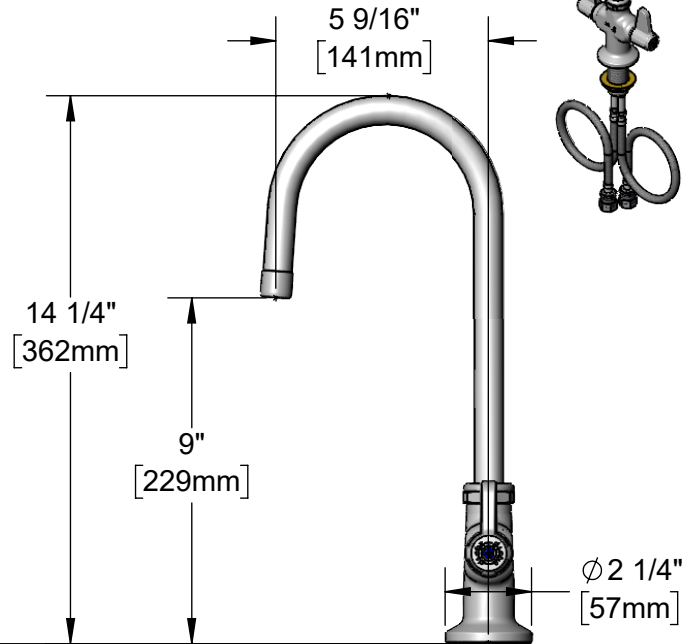
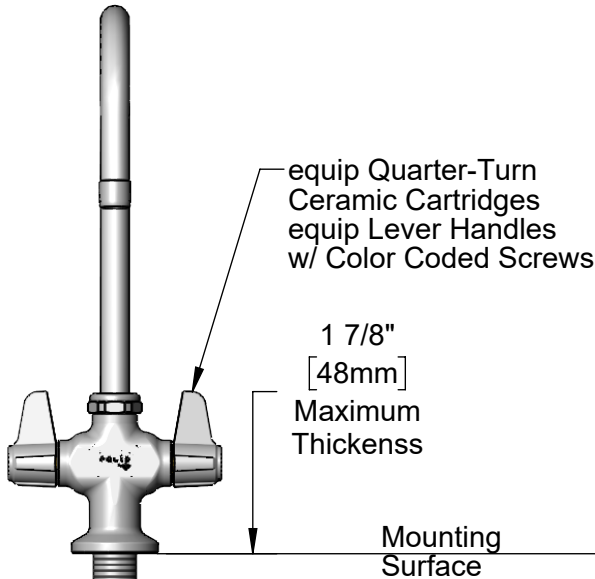
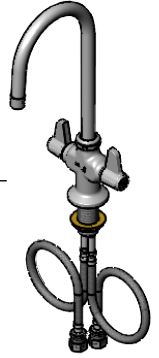
Model Specified _____ Quantity _____

Customer/Wholesaler _____

Contractor _____

Architect/Engineer _____

5SP-05-F15
 5 9/16" equip Swivel
 Gooseneck
 w/ 1.5 GPM Aerator.
 Rigid Conversion Requires
 014200-45 Lock Washer
 (Sold Separately)



Rough-In Requirement:
 Ø 1 1/2" [38mm] Mounting Hole

Model Number
5F-2SLX05-F15

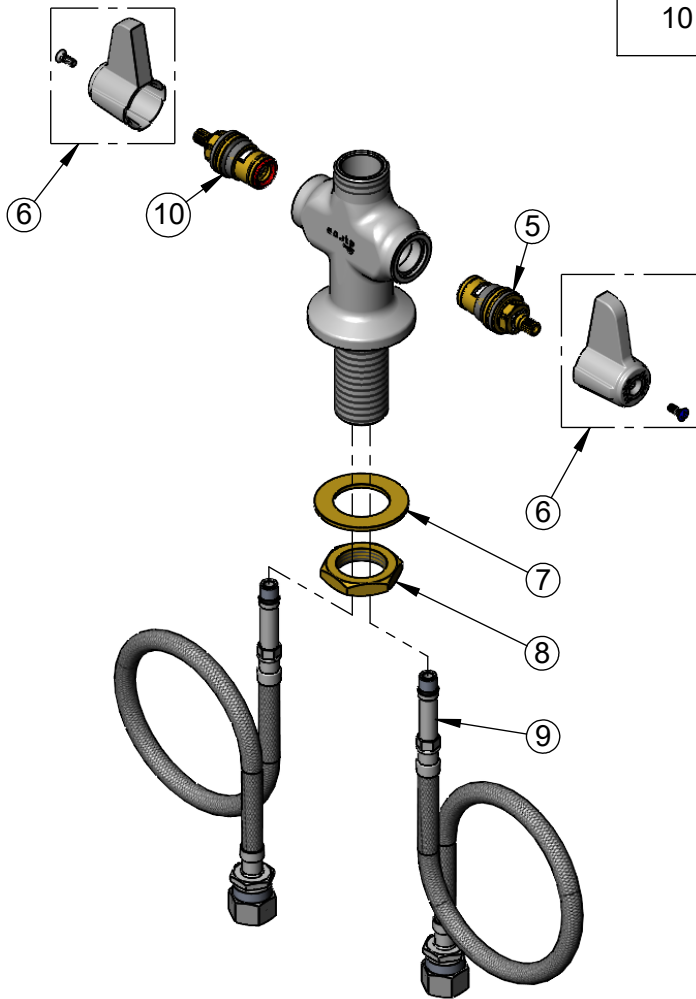
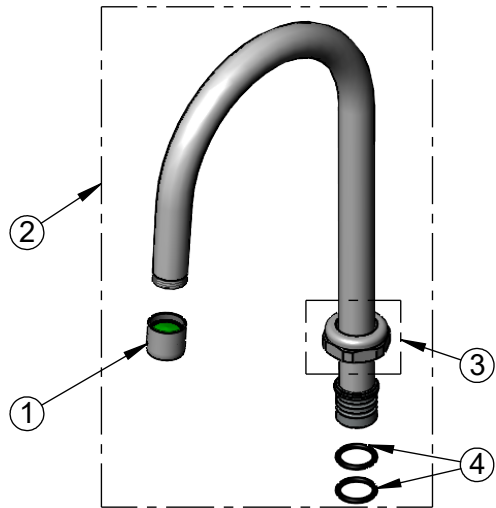
Product Specifications:
 Single Hole Deck Mount Mixing Faucet w/ equip Quarter-Turn Ceramic Cartridges, equip Lever Handles, 5 9/16" equip Swivel Gooseneck with 1.5 GPM Aerator & 18" Flexible Inlets

Product Compliance:
 ASME A112.18.1 / CSA B125.1
 NSF 61 - Section 9
 NSF 372 (Low Lead Content)
 ANSI A117.1 (ADA)

equip
 Foodservice
 Accessories



2 Saddleback Cove, P.O. Box 1088
 Travelers Rest, South Carolina 29690
 Phone: 800.891.4808 Fax: 800.868.0084
 equip.tsbrass.com



ITEM NO.	SALES NO.	DESCRIPTION
1	SP-F15	1.5 GPM Aerator, 3/4-27 UN Female
2	5SP-05-F15	5 9/16" Swivel Gooseneck
3	013839-25	equip Swivel Nut
4	013848-45	O-Ring
5	013788-45	equip Quarter-Turn Ceramic Cartridge, LTC (Blue)
6	5-HDL-L	equip Lever Handle w/ Color Coded Screws
7	002290-45	Lock Washer
8	000965-45	Lock Nut
9	012534-45	18" Flexible Supply Hose (2)
10	013787-45	equip Quarter-Turn Ceramic Cartridge, RTC (Red)

Model Number

5F-2SLX05-F15

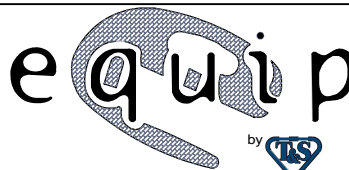
Product Specifications:

Single Hole Deck Mount Mixing Faucet w/ equip Quarter-Turn Ceramic Cartridges, equip Lever Handles, 5 9/16" equip Swivel Gooseneck with 1.5 GPM Aerator & 18" Flexible Inlets

Product Compliance:

ASME A112.18.1 / CSA B125.1
NSF 61 - Section 9
NSF 372 (Low Lead Content)
ANSI A117.1 (ADA)

equip
Foodservice
Accessories



2 Saddleback Cove, P.O. Box 1088
Travelers Rest, South Carolina 29690
Phone: 800.891.4808 Fax: 800.868.0084
equip.tsbrass.com