



**T&S BRASS AND BRONZE WORKS, INC.**

2 Saddleback Cove / P.O. Box 1088  
Travelers Rest, SC 29690

Model No.

**B-0305-102A-CR**

Item No.

Travelers Rest, SC: 800-476-4103 • Simi Valley, CA: 800-423-0150 • Fax: 864-834-3518 • www.tsbrass.com

This Space for Architect/Engineer Approval

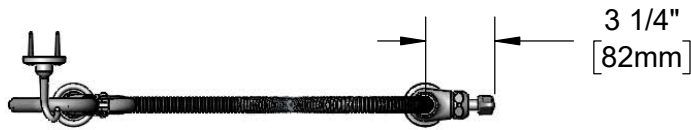
Job Name \_\_\_\_\_ Date \_\_\_\_\_

Model Specified \_\_\_\_\_ Quantity \_\_\_\_\_

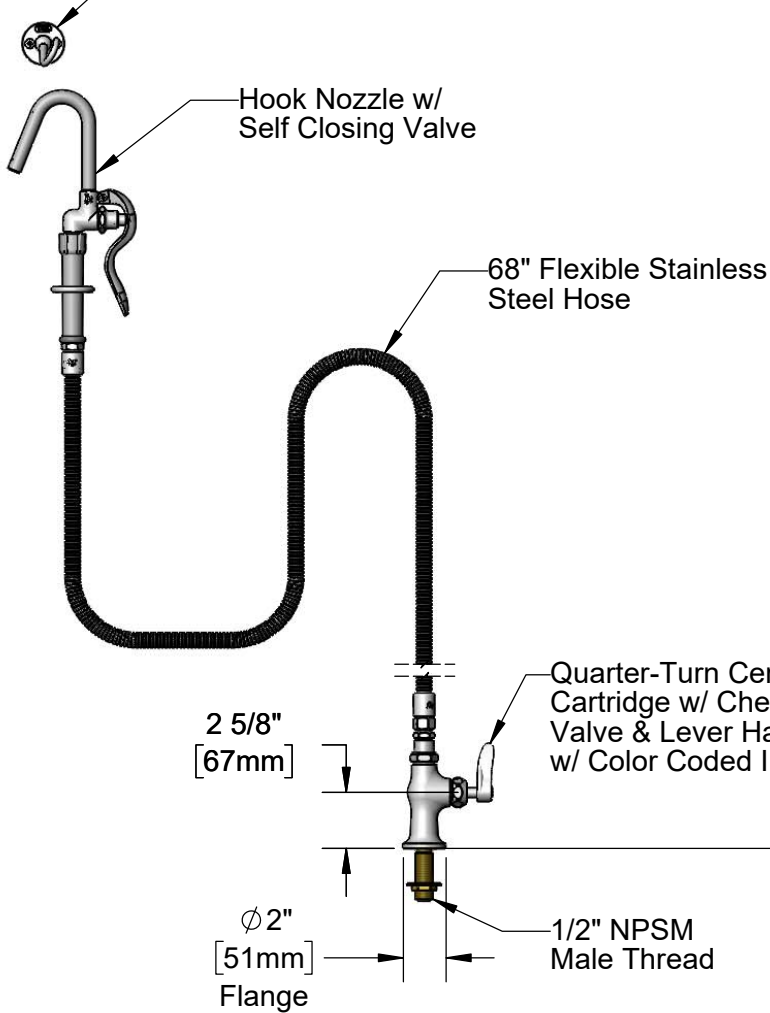
Customer/Wholesaler \_\_\_\_\_

Contractor \_\_\_\_\_

Architect/Engineer \_\_\_\_\_



B-0104-D  
Hose Hanger



Hook Nozzle w/  
Self Closing Valve

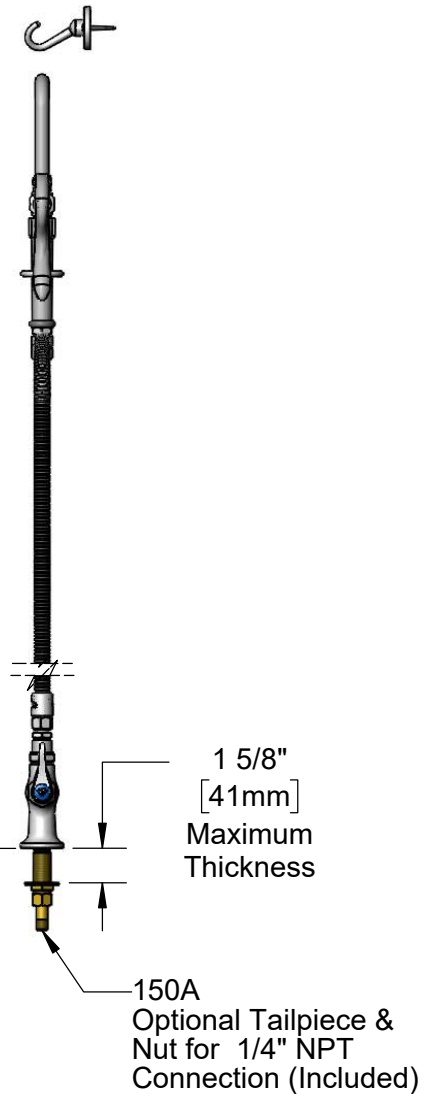
68" Flexible Stainless  
Steel Hose

Quarter-Turn Cerama  
Cartridge w/ Check  
Valve & Lever Handle  
w/ Color Coded Index

2 5/8"  
[67mm]

Ø 2"  
[51mm]  
Flange

1/2" NPSM  
Male Thread



1 5/8"  
[41mm]  
Maximum  
Thickness

150A  
Optional Tailpiece &  
Nut for 1/4" NPT  
Connection (Included)

Rough-In Requirement:  
Ø 1" [25mm] Mounting Hole

Product Specifications:

Single Hole Single Temperature Deck Mount Faucet, Quarter-Turn Cerama Cartridge w/ Check Valve, Lever Handle, Hook Nozzle Spray Valve, 68" Flexible Stainless Steel Hose & 1/2" NPSM Male Inlet

Product Compliance:

ASME A112.18.1 / CSA B125.1  
NSF 61 - Section 9  
NSF 372 (Low Lead Content)  
2019 DOE PRSV Non-Compliant



# T&S BRASS AND BRONZE WORKS, INC.

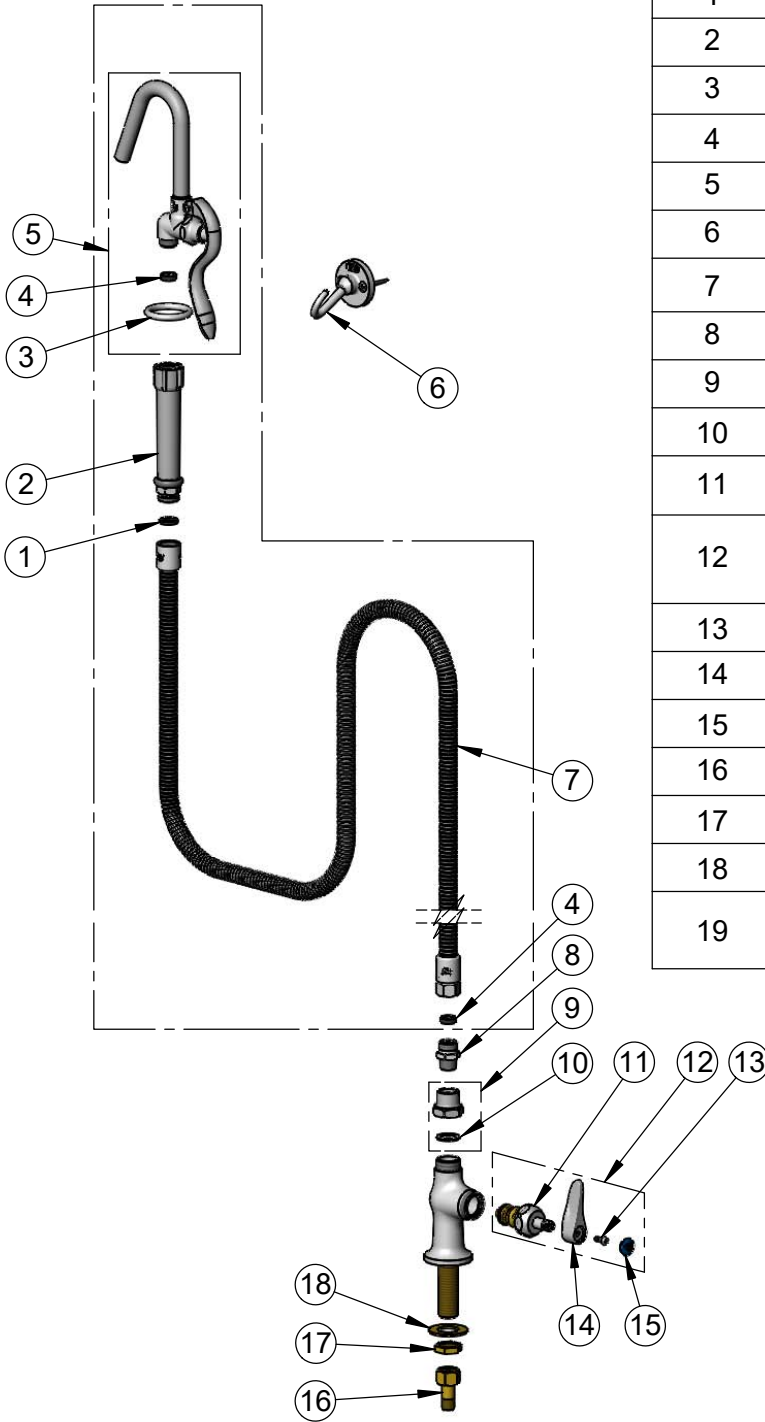
2 Saddleback Cove / P.O. Box 1088  
Travelers Rest, SC 29690

Model No.

**B-0305-102A-CR**

Item No.

Travelers Rest, SC: 800-476-4103 • Simi Valley, CA: 800-423-0150 • Fax: 864-834-3518 • www.tsbrass.com



ITEM NO.	SALES NO.	DESCRIPTION
1	001014-45	Washer, B-0100 Hose Barrel
2	002987-40	Grip Handle
3	000907-45	Spray Valve Hold Down Ring
4	010476-45	#27 Washer
5	002851-40	Hook Nozzle Spray Valve
6	B-0104-D	Dummy Wall Hook
7	B-0068-H2A	68" Flexible Stainless Steel Hose Less Handle
8	053A	Adapter, 3/8" NPT x 3/4-14UN
9	B-0413	Adapter, Swivel-to-Rigid
10	001049-45	Washer
11	012394-25NS	Quarter-Turn Cerama Cartridge w/ Check Valve, RTC
12	019641-25	Quarter-Turn Cerama Cartridge RTC w/ Check Valve, Handle, Blue Index & Screw
13	000925-45	Lab Handle Screw
14	001638-45NS	Lever Handle (New Style)
15	018506-19NS	Blue Button Index, Press-in
16	150A	1/4" NPT Male Tailpiece & Nut
17	002954-45	Shank Lock Nut
18	000999-45	Brass Lock Washer
19	B-0102-A	Pot Filler w/ 68" Stainless Steel Flexible Hose

**Product Specifications:**

Single Hole Single Temperature Deck Mount Faucet, Quarter-Turn Cerama Cartridge w/ Check Valve, Lever Handle, Hook Nozzle Spray Valve, 68" Flexible Stainless Steel Hose & 1/2" NPSM Male Inlet

**Product Compliance:**

ASME A112.18.1 / CSA B125.1  
NSF 61 - Section 9  
NSF 372 (Low Lead Content)  
2019 DOE PRSV Non-Compliant