



**ADA Compliant**

*This Space for Architect/Engineer Approval*

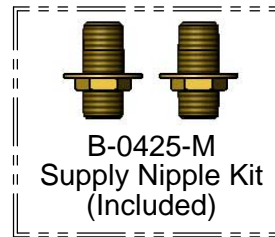
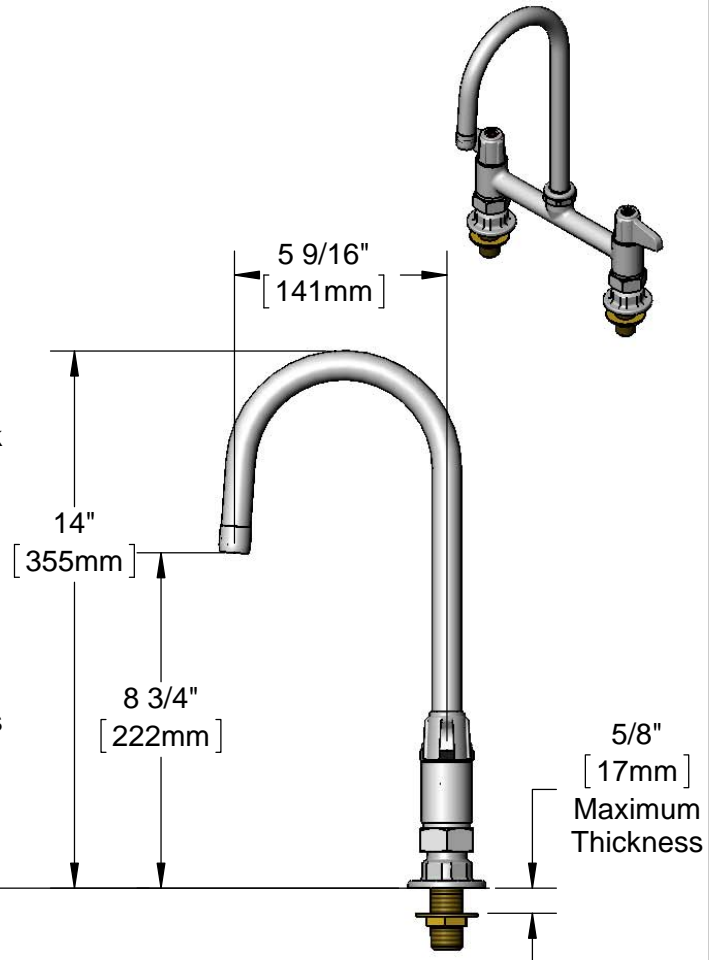
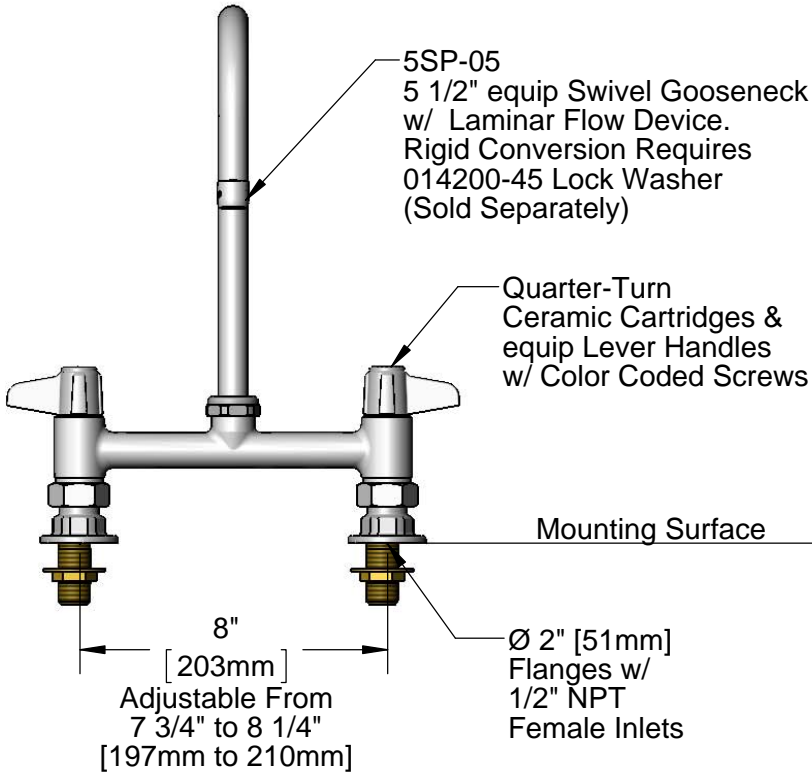
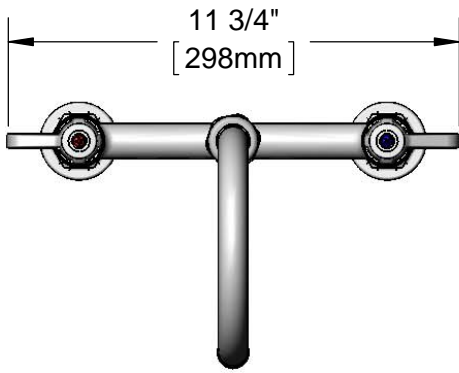
Job Name \_\_\_\_\_ Date \_\_\_\_\_

Model Specified \_\_\_\_\_ Quantity \_\_\_\_\_

Customer/Wholesaler \_\_\_\_\_

Contractor \_\_\_\_\_

Architect/Engineer \_\_\_\_\_



**Rough-In Requirement:**  
(2) Ø 1" [25mm] Mounting Holes

Model Number  
**5F-8DLS05**

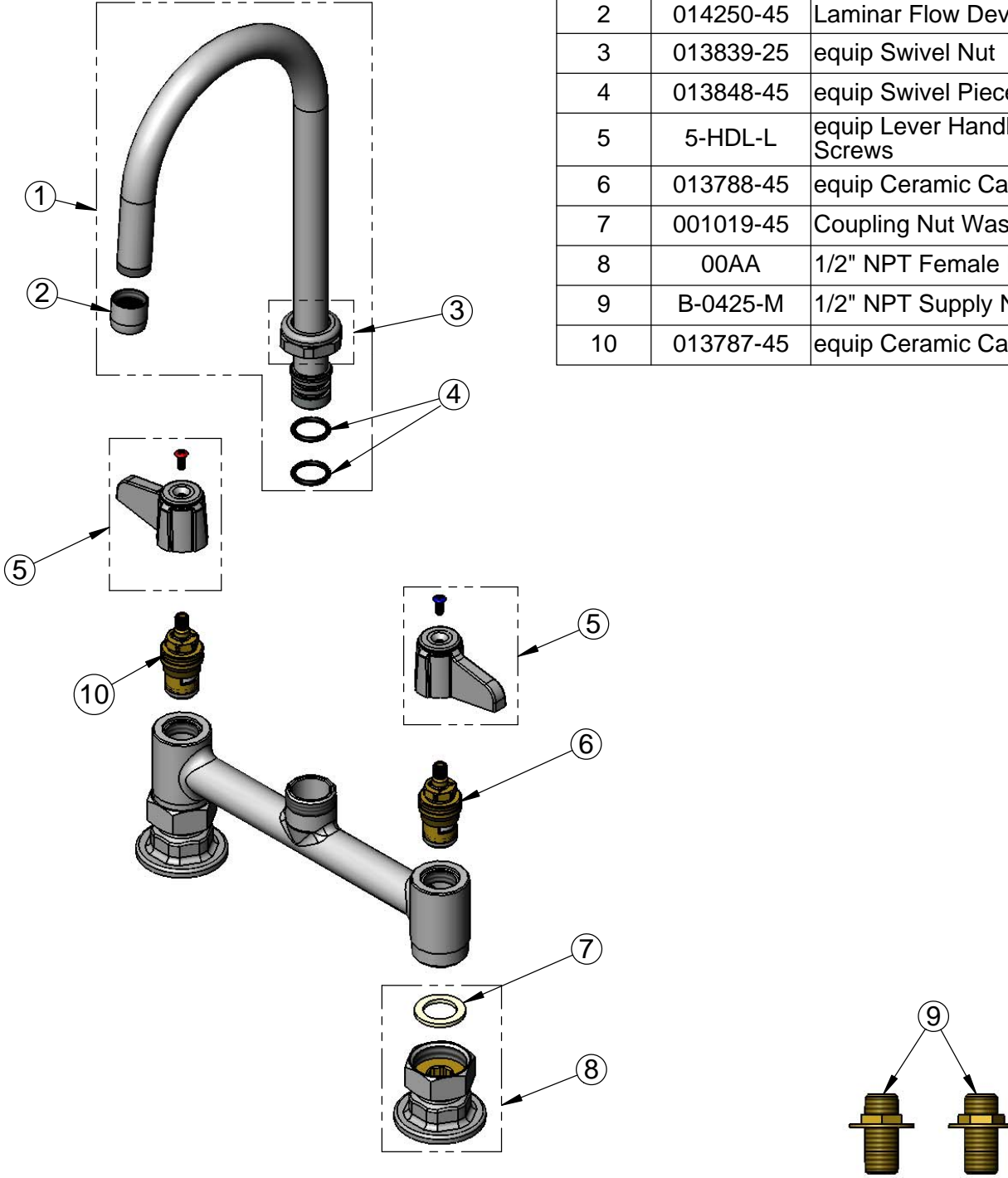
Product Specifications:  
**8" Deck Mount Mixing Faucet, Quarter-Turn Ceramic Cartridges, equip Lever Handles, 5 1/2" equip Swivel Gooseneck & 1/2" NPT Supply Nipple Kit**

Product Compliance:  
ASME A112.18.1 / CSA B125.1  
NSF 61 - Section 9  
NSF 372 (Low Lead Content)  
ANSI A117.1 (ADA)

equip Foodservice Accessories

2 Saddleback Cove, P.O. Box 1088  
Travelers Rest, South Carolina 29690  
Phone: 800.891.4808 Fax: 800.868.0084  
equip.tsbrass.com

| ITEM NO. | SALES NO. | DESCRIPTION                              |
|----------|-----------|--|
| 1        | 5SP-05    | 5 1/2" equip Swivel Gooseneck            |
| 2        | 014250-45 | Laminar Flow Device                      |
| 3        | 013839-25 | equip Swivel Nut                         |
| 4        | 013848-45 | equip Swivel Piece O-ring                |
| 5        | 5-HDL-L   | equip Lever Handle w/ Color Coded Screws |
| 6        | 013788-45 | equip Ceramic Cartridge, LTC             |
| 7        | 001019-45 | Coupling Nut Washer                      |
| 8        | 00AA      | 1/2" NPT Female Eccentric Flange         |
| 9        | B-0425-M  | 1/2" NPT Supply Nipple (2)               |
| 10       | 013787-45 | equip Ceramic Cartridge, RTC             |



Model Number

**5F-8DLS05**

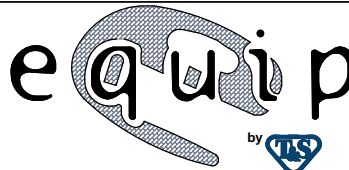
Product Specifications:

**8" Deck Mount Mixing Faucet, Quarter-Turn Ceramic Cartridges, equip Lever Handles, 5 1/2" equip Swivel Gooseneck & 1/2" NPT Supply Nipple Kit**

Product Compliance:

ASME A112.18.1 / CSA B125.1  
NSF 61 - Section 9  
NSF 372 (Low Lead Content)  
ANSI A117.1 (ADA)

equip  
Foodservice  
Accessories



2 Saddleback Cove, P.O. Box 1088  
Travelers Rest, South Carolina 29690  
Phone: 800.891.4808 Fax: 800.868.0084  
equip.tsbrass.com