



Pre-Rinse Units
B-0126-CR

TAG:

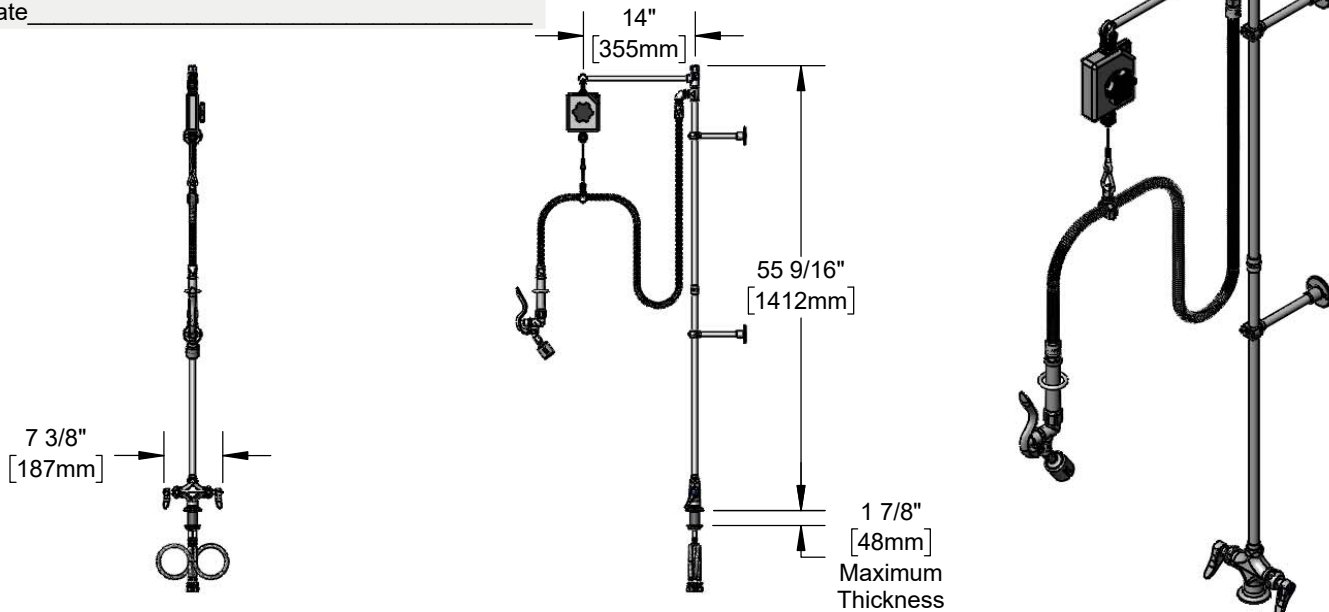
EasyInstall

Pre-Rinse Unit

Architect/Engineering Specifications:

Single hole deck mount mixing faucet with polished chrome plated brass body, 24" risers, 3/8" NPT pipe coupling, 68" flexible stainless steel hose with heat resistant handle, 0.65 GPM low flow angled spray valve, ceramic cartridges with check valves, lever handles, 18" flexible stainless steel supply hoses w/ 1/2" NPSM / 5/8" compression connections, overhead swivel extension arm with balancer, and 6" adjustable wall bracket. Certified to ASME A112.18.1/CSA B125, NSF 61-Section 9, and NSF 372. 2019 DOE PRSV - Class I compliant.

Job Name _____
 Model Specified _____ Quantity _____
 Variations Specified _____
 Date _____



Features & Benefits:

- Single hole deck mount mixing faucet with polished chrome plated brass body
- Two 24" risers (one EasyInstall, one rigid) w/ pipe coupling
- Swivel elbow assembly
- 68" flexible stainless steel hose w/ heat resistant gray handle and hold down ring
- 0.65 GPM low flow angled spray valve
- Quarter-turn Cerama cartridges w/ check valves to prevent cross flow of water
- Lever handles w/ color coded indexes
- 18" flexible stainless steel supply hoses w/ 1/2" NPSM / 5/8" compression connections
- Overhead swivel extension arm with adjustable tension balancer
- 6" adjustable wall bracket
- Material: Polished chrome plated brass body, riser, swivel arm & spray valve body, stainless steel hose, and chrome plated metal handles

Product Compliance:

- ASME A112.18.1 / CSA B125.1
- NSF 61 - Section 9
- NSF 372 (Low Lead Content)
- 2019 DOE PRSV - Class I

Warranty: Three Year (Limited)

- Cerama Cartridges: Lifetime (Limited)

Performance Data:

- Pressure: 20 - 125 psi
- Temperature: 40 °F - 140 °F
- Flow Rate: 0.65 GPM @ 60 psi



Optional Handles

- 4" Wrist Action
- Lever (Standard)
- 4-Arm

Optional Cartridges With Checks

- Quarter-Turn Cerama w/ Check Valve (Standard)
- Quarter-Turn Eterna w/ Spring Check

Optional Pre-Rinse Spray Valves

- B-0107 (1.15 GPM)
- B-0107-C (0.65 GPM)
- B-0107-J (1.07 GPM)
- B-0108 (1.07 GPM)
- B-0108-C (0.65 GPM)



T&S BRASS AND BRONZE WORKS, INC.



• 2 Saddleback Cove • Travelers Rest, SC 29690
 Ph 800-476-4103 • Fax 864-834-3518
 • Simi Valley, CA • Ph 800-423-0150 • www.tsbrass.com

Date: 09/20/19