



T&S BRASS AND BRONZE WORKS, INC.

2 Saddleback Cove / P.O. Box 1088
Travelers Rest, SC 29690

Model No.

B-2862-LF16-WH4

Item No.

Travelers Rest, SC: 800-476-4103 • Simi Valley, CA: 800-423-0150 • Fax: 864-834-3518 • www.tsbrass.com



ADA Compliant

This Space for Architect/Engineer Approval

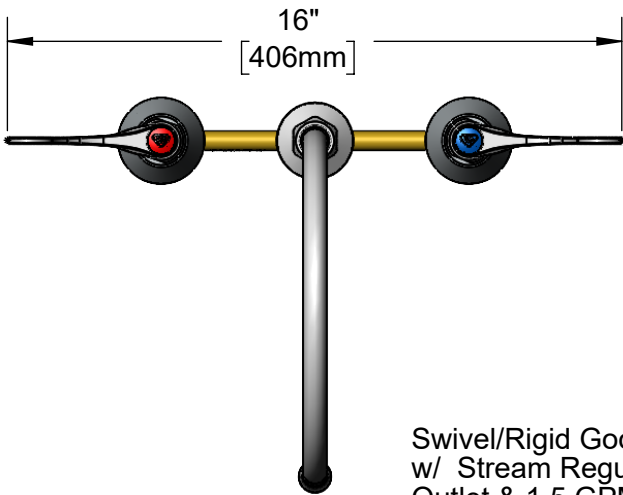
Job Name _____ Date _____

Model Specified _____ Quantity _____

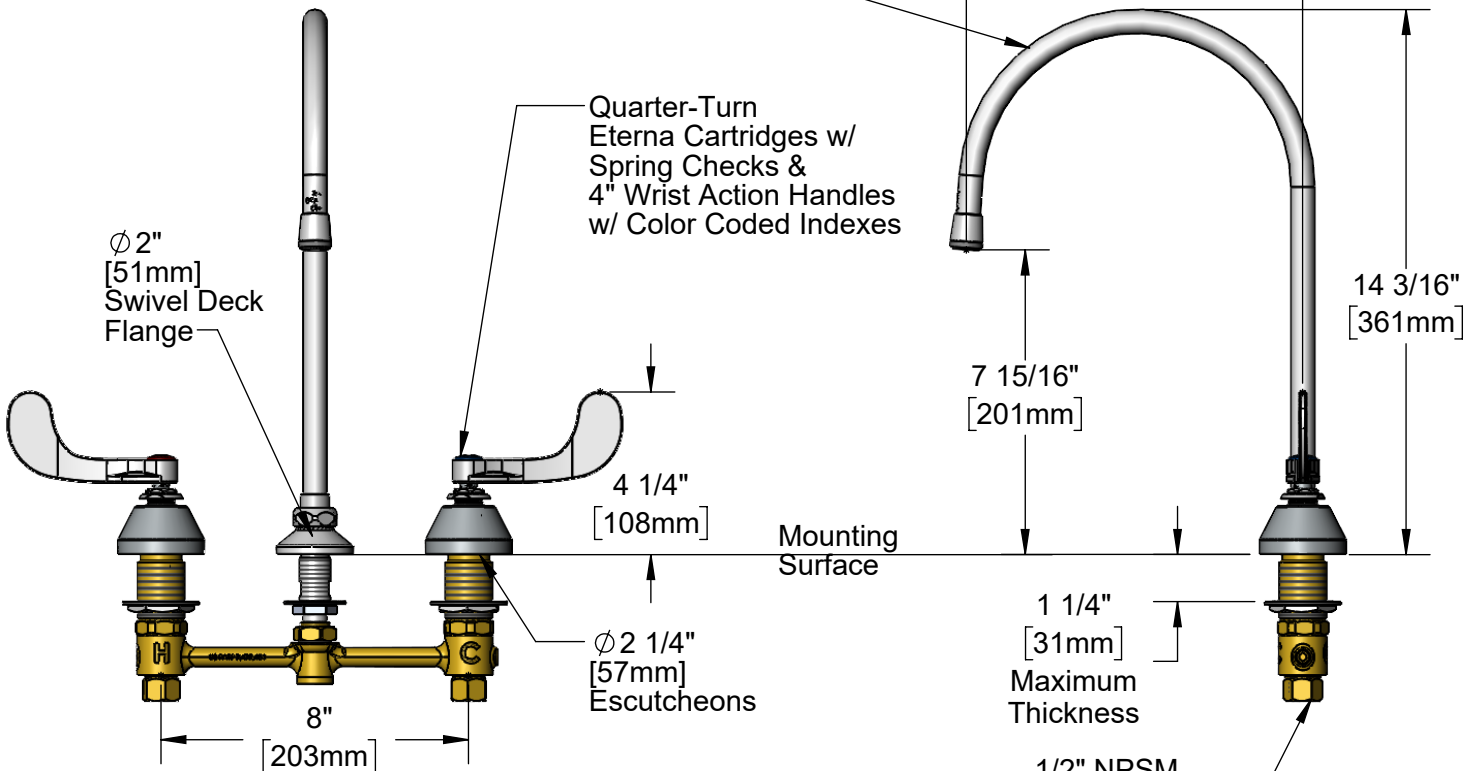
Customer/Wholesaler _____

Contractor _____

Architect/Engineer _____



Swivel/Rigid Gooseneck
w/ Stream Regulator
Outlet & 1.5 GPM Flow
Disc. Rigid Conversion
Requires 014200-45 Lock
Washer(Included)



Rough-In Requirement:
Center Shank: ϕ 1" [25mm] Mounting Hole
Hot/Cold Side: ϕ 1 1/2" [38mm] Mounting Holes

Product Specifications:

8" Concealed Widespread EasyInstall Mixing Faucet, Quarter-Turn Eterna Cartridges w/ Spring Checks, 4" Wrist Action Handles, Swivel/Rigid Gooseneck, 1.5 GPM Flow Disc & 1/2" NPT Male Inlets

Product Compliance:

ASME A112.18.1 / CSA B125.1
NSF 61 - Section 9
NSF 372 (Low Lead Content)
ANSI A117.1 (ADA)



T&S BRASS AND BRONZE WORKS, INC.

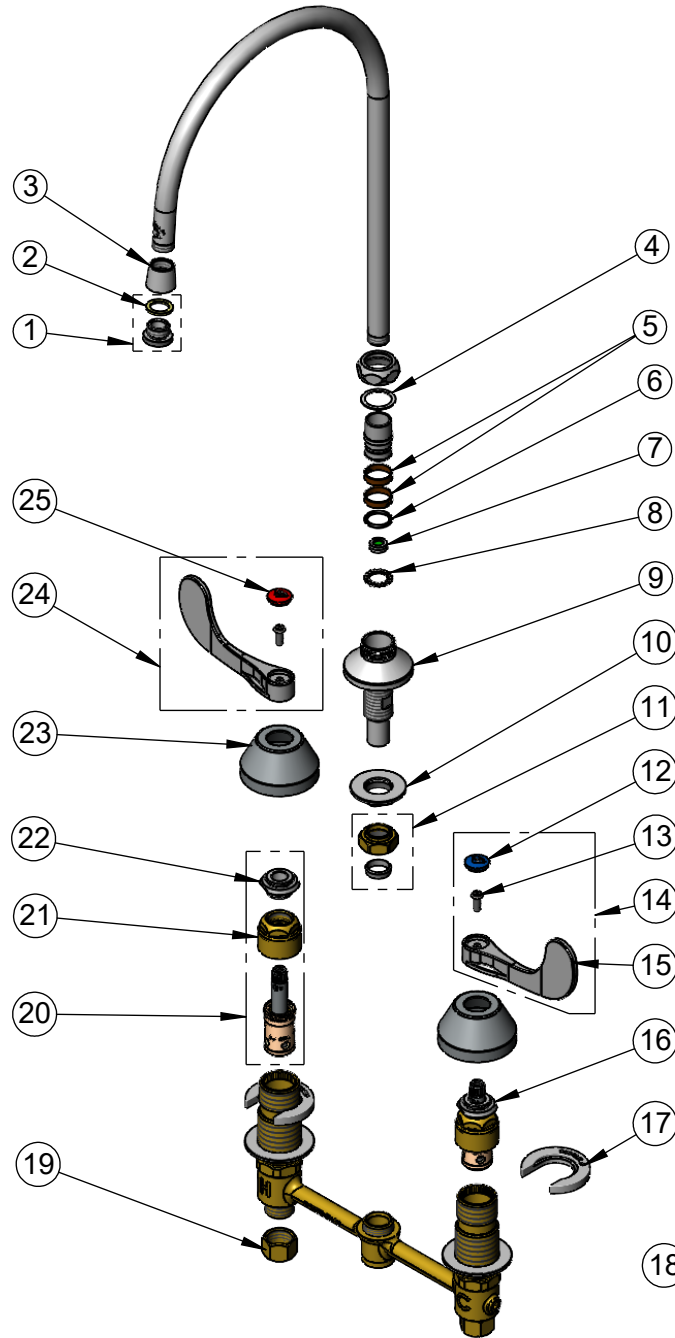
2 Saddleback Cove / P.O. Box 1088
Travelers Rest, SC 29690

Model No.

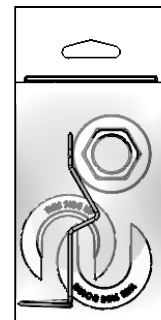
B-2862-LF16-WH4

Item No.

Travelers Rest, SC: 800-476-4103 • Simi Valley, CA: 800-423-0150 • Fax: 864-834-3518 • www.tsbrass.com



ITEM NO.	SALES NO.	DESCRIPTION
1	B-LT	Stream Regulator Outlet
2	001043-45	Washer
3	020205-40	Adapter, 5/8-27 UN x 3/8-18 NPSM
4	009538-45	Swivel Washer
5	011429-45	Swivel Sleeves (2)
6	001074-45	O-Ring
7	FD15	Flow Disc, 1.5 GPM [5.68 L/MIN]
8	014200-45	Star Washer, Anti-Rotation
9	016754-40NS	EasyInstall CWS Swivel Center Shank (New Style)
10	016742-45	Center Flange Nut
11	016745-45	Compression Nut & Fitting
12	018506-19NS	Blue Button Index, Press-in
13	000925-45	Lab Handle Screw
14	B-WH4C-NS	Wrist Action Handle, Blue Index & Screw
15	B-WH4-NS	Wrist Action Handle - New Style
16	016752-40NS	EasyInstall, CWS Quarter-Turn Eterna Cartridge w/ Spring Check, LTC
17	016749-45	Sidebody C-Washer
18	016777-45	CWS Hanger
19	000958-20	Coupling Nut
20	016753-40NS	EasyInstall, CWS Quarter-Turn Eterna Cartridge w/ Spring Check, RTC
21	016743-20	Eterna Bonnet - EXTENDED
22	009002-40NS	Packing Assembly (New Style)
23	001257-40NS	Bell Escutcheon
24	B-WH4H-NS	Wrist Action Handle, Red Index & Screw
25	001193-19NS	Red Button Index, Press-in



017245-40
Installation Repair Kit
Includes #10, (2)#17, & #18

Product Specifications:

8" Concealed Widespread EasyInstall Mixing Faucet, Quarter-Turn Eterna Cartridges w/ Spring Checks, 4" Wrist Action Handles, Swivel/Rigid Gooseneck, 1.5 GPM Flow Disc & 1/2" NPT Male Inlets

Product Compliance:

ASME A112.18.1 / CSA B125.1
NSF 61 - Section 9
NSF 372 (Low Lead Content)
ANSI A117.1 (ADA)