



**T&S BRASS AND BRONZE WORKS, INC.**  
 2 Saddleback Cove / P.O. Box 1088  
 Travelers Rest, SC 29690

Model No.

**B-0230-U18**

Item No.

Travelers Rest, SC: 800-476-4103 • Simi Valley, CA: 800-423-0150 • Fax: 864-834-3518 • www.tsbrass.com



**ADA Compliant**

This Space for Architect/Engineer Approval

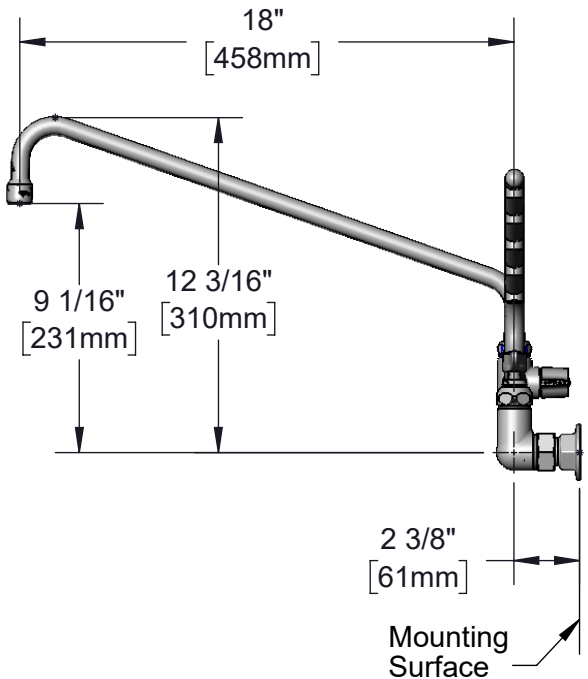
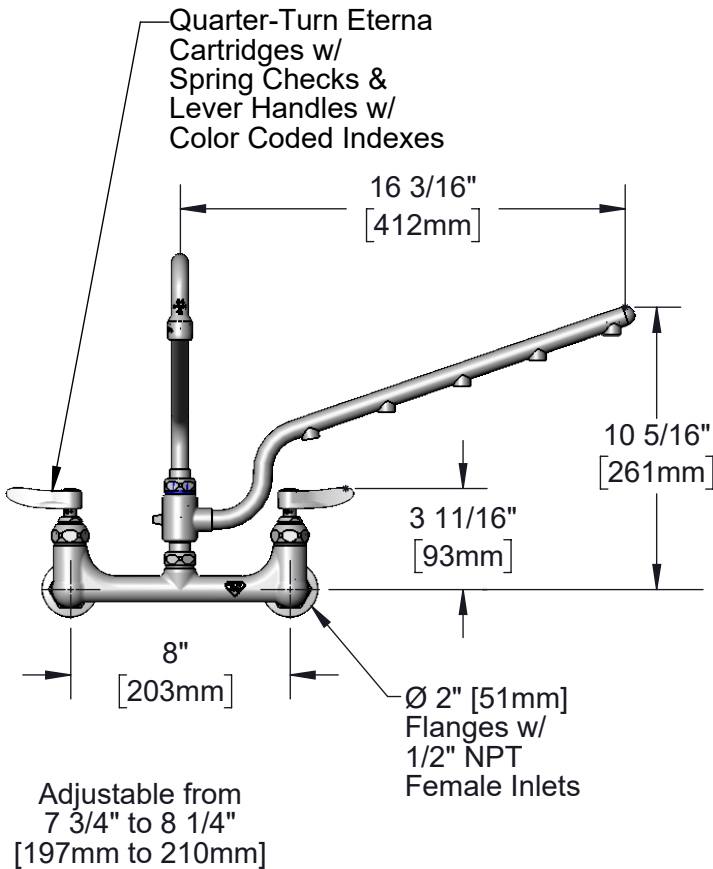
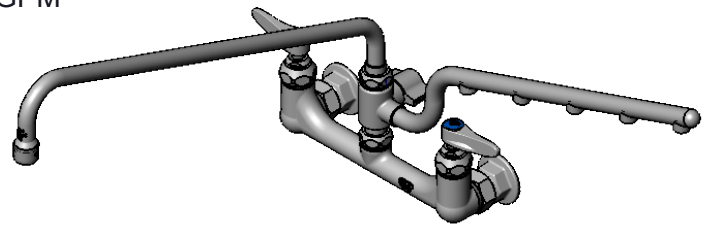
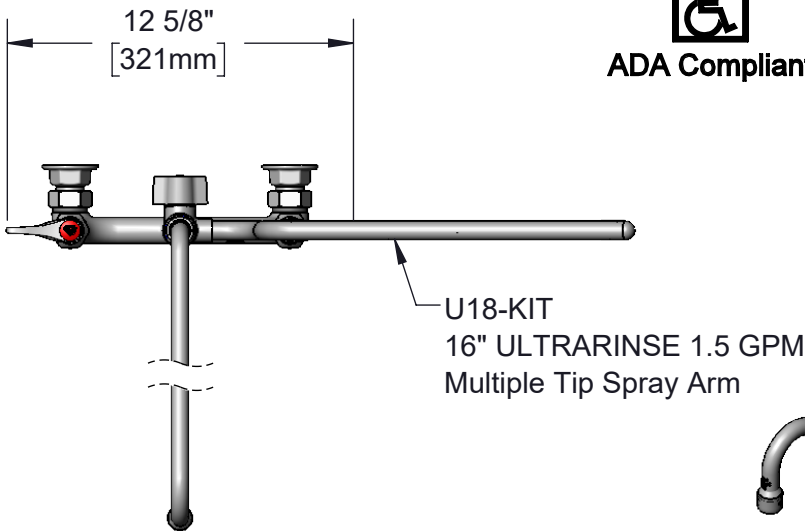
Job Name \_\_\_\_\_ Date \_\_\_\_\_

Model Specified \_\_\_\_\_ Quantity \_\_\_\_\_

Customer/Wholesaler \_\_\_\_\_

Contractor \_\_\_\_\_

Architect/Engineer \_\_\_\_\_



**Product Specifications:**

8" Wall Mount Mixing Faucet, Quarter-Turn Eterna Cartridges w/ Spring Checks, Lever Handles, 18" Swivel Nozzle w/ Stream Regulator Outlet, 1.5 GPM 16" ULTRARINSE Multiple Tip Spray Arm & 1/2" NPT Female Inlets

**Product Compliance:**

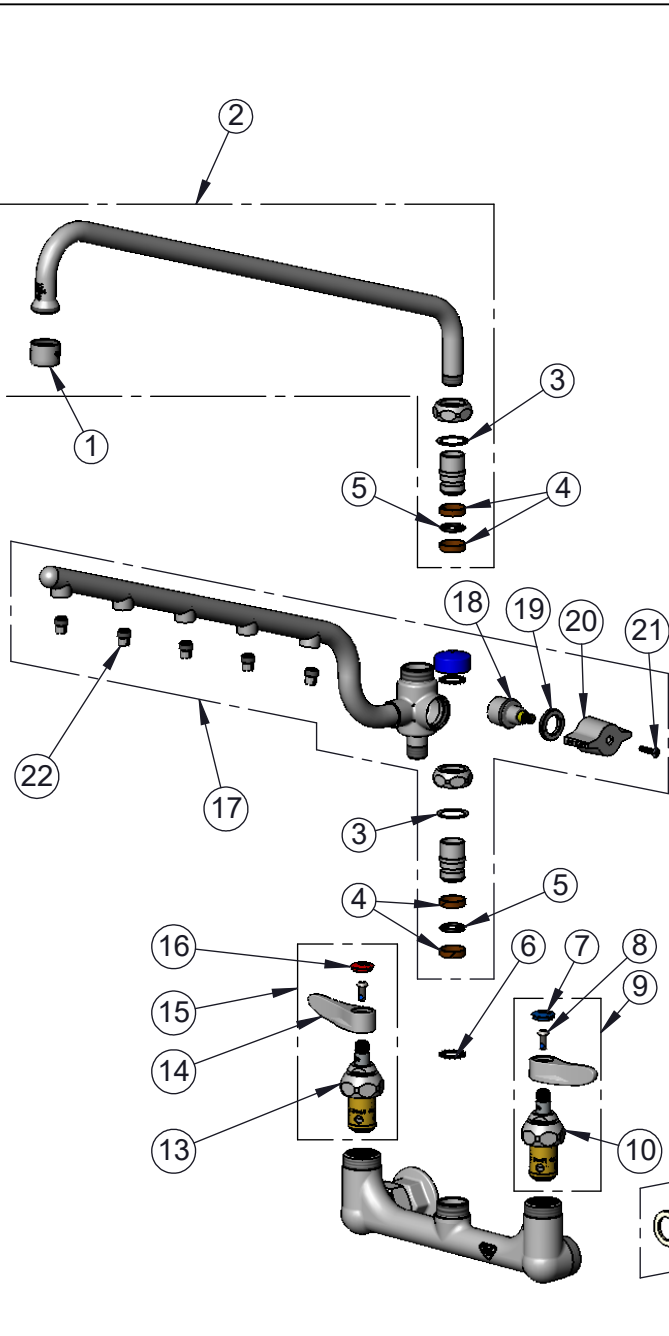
ASME A112.18.1 / CSA B125.1  
 NSF 61 - Section 9  
 NSF 372 (Low Lead Content)  
 ANSI A117.1 (ADA)



**T&S BRASS AND BRONZE WORKS, INC.**  
 2 Saddleback Cove / P.O. Box 1088  
 Travelers Rest, SC 29690

Model No.  
**B-0230-U18**  
 Item No.

Travelers Rest, SC: 800-476-4103 • Simi Valley, CA: 800-423-0150 • Fax: 864-834-3518 • www.tsbrass.com



| ITEM NO. | SALES NO.   | DESCRIPTION  |
|----------|-------------|--|
| 1        | B-PT        | Full Flow Stream Regulator, 55/64-27   |
| 2        | 065X        | 18" Swing Nozzle   |
| 3        | 009538-45   | Swivel Washer  |
| 4        | 011429-45   | Swivel Sleeves (2)   |
| 5        | 001074-45   | O-Ring   |
| 6        | 014200-45   | Star Washer, Anti-Rotation   |
| 7        | 018506-19NS | Blue Button Index, Press-in  |
| 8        | 000925-45   | Lab Handle Screw   |
| 9        | 002711-40NS | Quarter-Turn Eterna Cartridge, LTC w/ Spring Check, Handle, Blue Index & Screw |
| 10       | 012442-40NS | Quarter-Turn Eterna Cartridge, LTC w/ Spring Check                             |
| 11       | 001019-45   | Coupling Nut Washer  |
| 12       | 00AA        | 1/2" NPT Female Eccentric Flange   |
| 13       | 012443-40NS | Quarter-Turn Eterna Cartridge, RTC w/ Spring Check                             |
| 14       | 001638-45NS | Lever Handle (New Style)   |
| 15       | 002712-40NS | Quarter-Turn Eterna Cartridge, RTC w/ Spring Check, Handle, Red Index & Screw  |
| 16       | 001193-19NS | Red Button Index, Press-in   |
| 18       | 020641-45   | ULTRARINSE Diverter Cartridge  |
| 19       | 020645-45   | Diverter Cartridge Nut   |
| 20       | 020642-45   | ULTRARINSE Diverter Handle   |
| 21       | 020669-45   | M4 Screw, 17mm Long  |
| 22       | 020666-25   | 0.3 GPM Spray Tip  |

**Product Specifications:**  
 8" Wall Mount Mixing Faucet, Quarter-Turn Eterna Cartridges w/ Spring Checks, Lever Handles, 18" Swivel Nozzle w/ Stream Regulator Outlet, 1.5 GPM 16" ULTRARINSE Multiple Tip Spray Arm & 1/2" NPT Female Inlets

**Product Compliance:**  
 ASME A112.18.1 / CSA B125.1  
 NSF 61 - Section 9  
 NSF 372 (Low Lead Content)  
 ANSI A117.1 (ADA)