



# T&S BRASS AND BRONZE WORKS, INC.

2 Saddleback Cove / P.O. Box 1088  
Travelers Rest, SC 29690

Model No.

**ECW-3150-MB-HG**

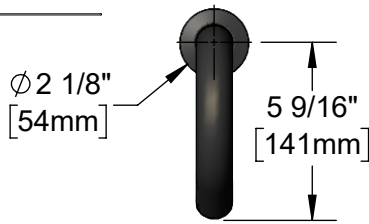
Item No.

Travelers Rest, SC: 800-476-4103 • Simi Valley, CA: 800-423-0150 • Fax: 864-834-3518 • www.tsbrass.com

## WAVECREST™



**ADA Compliant**



This Space for Architect/Engineer Approval

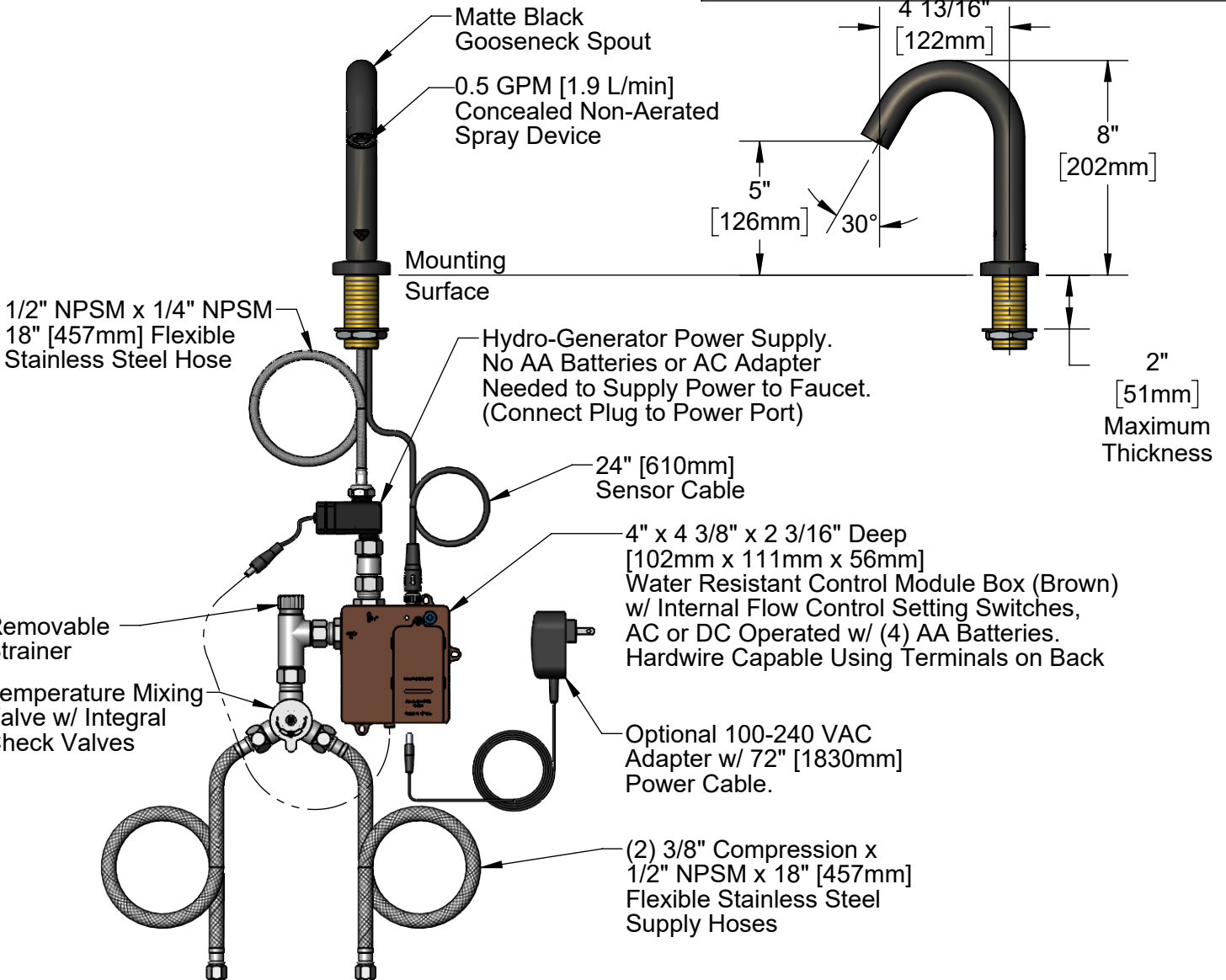
Job Name \_\_\_\_\_ Date \_\_\_\_\_

Model Specified \_\_\_\_\_ Quantity \_\_\_\_\_

Customer/Wholesaler \_\_\_\_\_

Contractor \_\_\_\_\_

Architect/Engineer \_\_\_\_\_



**Rough-In Requirement:**  
Ø 1 3/8" [35mm] Mounting Hole

### Product Specifications:

Matte Black Brass Electronic Faucet: Single Hole, Deck Mount, Gooseneck Spout w/ 0.5 GPM Concealed Non-Aerated Spray Device, AC/DC Control Module w/ Internal Flow Control Setting Switches, Temperature Control Mixing Valve w/ Integral Check Valves, Hydro-Generator & 18" Hot & Cold Supply Stop Flexible Connector Hoses

### Product Compliance:

ASME A112.18.1 / CSA B125.1  
NSF 61 - Section 9  
NSF 372 (Low Lead Content)  
ANSI A117.1 (ADA)  
UL 1951



# T&S BRASS AND BRONZE WORKS, INC.

2 Saddleback Cove / P.O. Box 1088  
Travelers Rest, SC 29690

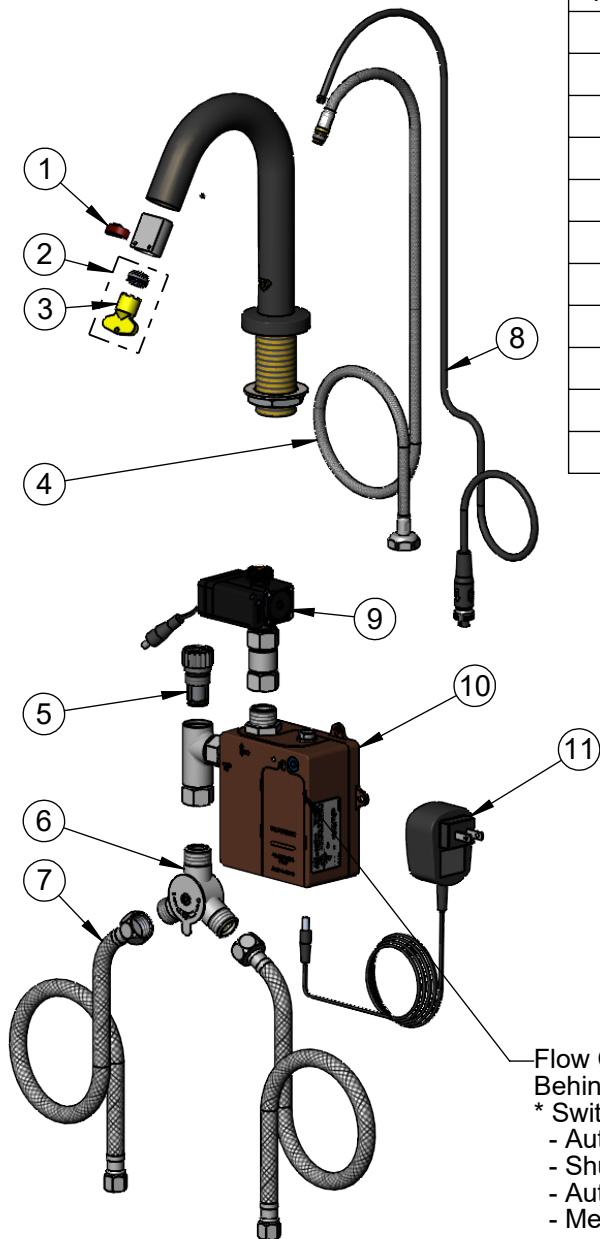
Model No.

**ECW-3150-MB-HG**

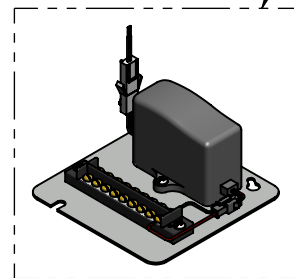
Item No.

Travelers Rest, SC: 800-476-4103 • Simi Valley, CA: 800-423-0150 • Fax: 864-834-3518 • www.tsbrass.com

| ITEM NO. | SALES NO.      | DESCRIPTION                             |
|----------|----------------|---|
| 1        | 020928-45      | Gooseneck Hidden Sensor                 |
| 2        | B-0199-M16-V05 | 0.5 GPM Cache TT Flow Device            |
| 3        | 020673-45      | Yellow VR Key                           |
| 4        | 020932-45      | Flexible Connector Hose                 |
| 5        | EC-FILTER      | Replacement Filter                      |
| 6        | 5EF-0006       | Temperature Mixing Valve                |
| 7        | 5EF-0005       | Supply Hose, 9/16-24 Female x 1/2" NPSM |
| 8        | 020754-45      | WaveCrest Sensor Cable                  |
| 9        | EC-HYDROGEN-LF | Low Flow Hydrogenerator                 |
| 10       | 020744-45      | WaveCrest Control Module w/ Filter Tee  |
| 11       | 5EF-0002C      | AC Adapter - US Plug                    |



A Maximum of (8) ChekPoint Faucets can be Hardwire Connected and Powered by EC-HARDWIRE ChekPoint Hardwire AC Transformer. (Sold Separately)



Flow Control Switches are Located Behind Battery Compartment Cover.

\* Switches are Set to DEFAULT Position:

- Auto Time Out = 15 Seconds
- Shut Off Delay = 1 Second
- Auto Flush = OFF
- Metering Mode = OFF

**\* Available Water Flow Control Selections:**

- Auto Time Out: 15 sec, 30 sec, 45 sec, 60 sec, 3 min, 20 min
- Shut Off Delay: 1 sec, 10 sec, 15 sec, 30 sec
- Auto Flush (30 Seconds After Every 12 Inactive Hours): ON or OFF
- Metering Mode: ON or OFF

**Product Specifications:**

Matte Black Brass Electronic Faucet: Single Hole, Deck Mount, Gooseneck Spout w/ 0.5 GPM Concealed Non-Aerated Spray Device, AC/DC Control Module w/ Internal Flow Control Setting Switches, Temperature Control Mixing Valve w/ Integral Flow Check Valves, Hydro-Generator & 18" Hot & Cold Supply Stop Flexible Connector Hoses

**Product Compliance:**

ASME A112.18.1 / CSA B125.1  
NSF 61 - Section 9  
NSF 372 (Low Lead Content)  
ANSI A117.1 (ADA)  
UL 1951