



T&S BRASS AND BRONZE WORKS, INC.

2 Saddleback Cove / P.O. Box 1088
Travelers Rest, SC 29690

Model No.

B-0806-VR

Item No.

Travelers Rest, SC: 800-476-4103 • Simi Valley, CA: 800-423-0150 • Fax: 864-834-3518 • www.tsbrass.com



ADA Compliant

This Space for Architect/Engineer Approval

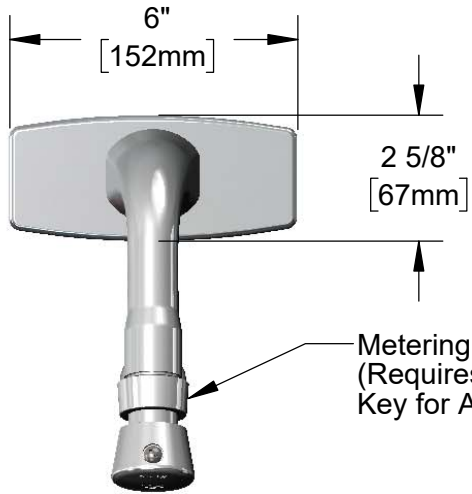
Job Name _____ Date _____

Model Specified _____ Quantity _____

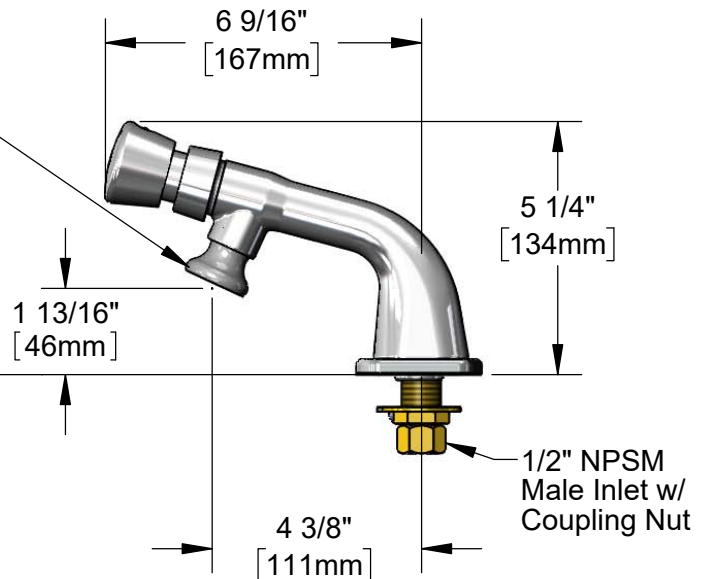
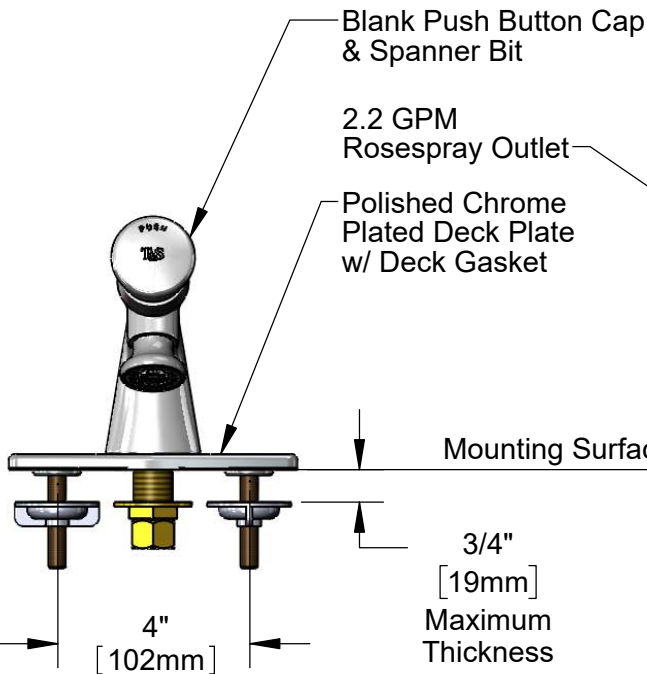
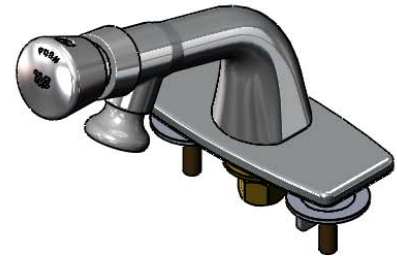
Customer/Wholesaler _____

Contractor _____

Architect/Engineer _____



Metering Cartridge
(Requires 3/32" Hex Key for Adjustment)



Rough-In Requirement:
Center Shank - Ø 1" [25mm] Mounting Hole
Locking Studs - (2) Ø 1 1/8" [29mm] Mounting Holes

Product Specifications:
Single Temperature Deck Mount Faucet, Push Button Metering Cartridge, 2.2 GPM Rosespray Outlet, Chrome Plated Forged VR Deck Plate & 1/2" NPSM Male Inlet

Product Compliance:
ASME A112.18.1 / CSA B125.1
NSF 61 - Section 9
NSF 372 (Low Lead Content)
ANSI A117.1 (ADA)

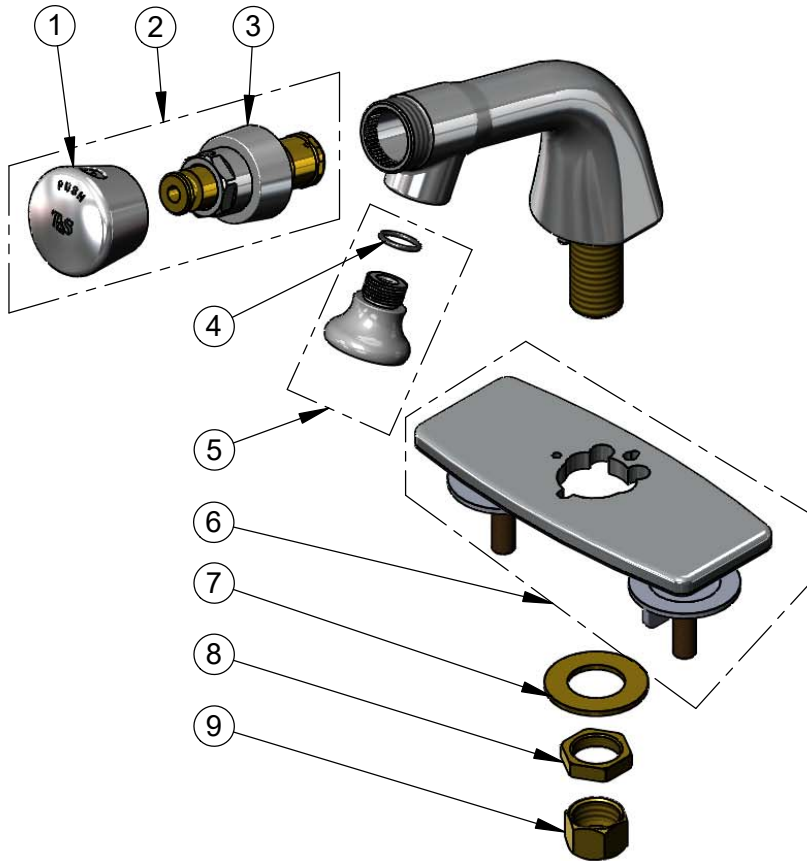


T&S BRASS AND BRONZE WORKS, INC.
 2 Saddleback Cove / P.O. Box 1088
 Travelers Rest, SC 29690

Model No.
B-0806-VR
 Item No.

Travelers Rest, SC: 800-476-4103 • Simi Valley, CA: 800-423-0150 • Fax: 864-834-3518 • www.tsbrass.com

ITEM NO.	SALES NO.	DESCRIPTION
1	014193-40	Blank Push Button Cap w/ Spanner Bit
2	238AB	Metering Cartridge w/ Blank Push Button Cap & Spanner Bit
3	238A	Push Button Metering Cartridge
4	006575-45	O-ring
5	B-0103	2.2 GPM Rosespray, 3/8-18 NPT Male
6	013433-40	4" Universal Deck Plate, Gasket & Mounting Hardware
7	000999-45	Brass Lock Washer
8	002954-45	Shank Lock Nut
9	000958-20	Coupling Nut



014734-45
 Spanner Bit

Product Specifications:
 Single Temperature Deck Mount Faucet, Push Button Metering Cartridge,
 2.2 GPM Rosespray Outlet, Chrome Plated Forged VR Deck Plate
 & 1/2" NPSM Male Inlet

Product Compliance:
 ASME A112.18.1 / CSA B125.1
 NSF 61 - Section 9
 NSF 372 (Low Lead Content)
 ANSI A117.1 (ADA)