

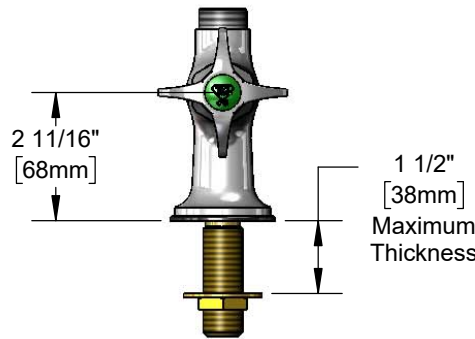
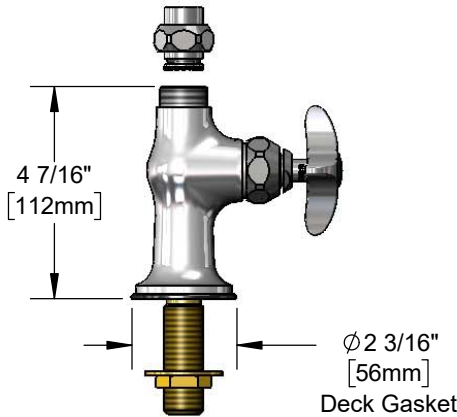


Single Temperature Deck Mount Faucet

Architect/Engineering Specifications:

Single hole single temperature deck mount faucet with polished chrome plated brass body, swivel outlet (less nozzle), compression cartridge with spring check, 4-arm handle, and 1/2" NPSM male inlet. Certified to ASME A112.18.1/CSA B125.1, NSF 61-Section 9 and NSF 372. Meets ADA ANSI/ICC A117.1 requirements.

Job Name _____
Model Specified _____ Quantity _____
Variations Specified _____
Date _____



Features & Benefits:

- Single hole, single temperature deck mount faucet w/ polished chrome plated brass body
• Swivel outlet accepts T&S swing nozzles and EasyInstall risers
• Includes EZ-K kit to convert rigid risers to EasyInstall
• Quarter-turn Eterna compression cartridges with spring checks
• 4-arm handle w/ color coded index
• Temperature control mixing valve w/ integral check valves
• 18" flexible stainless steel supply hoses w/ 1/2" NPSM / 5/8" OD compression connections
• Material: Polished chrome plated brass body and chrome plated metal handle

Product Compliance:

- ASME A112.18.1 / CSA B125.1
• NSF 61 - Section 9
• NSF 372 (Low Lead Content)

Warranty: One Year (Limited)

Performance Data:

- Pressure: 20 - 125 psi
• Temperature: 40°F - 140°F
• Flow Rate: 5.61 GPM @ 60 psi
(Outlet Device &/or Final Configuration May Reduce Flow Rate)



ADA Compliant

Optional Outlets (Series 1 / VR Series 6)

Table with 5 columns: GPM, Aerated, Non-Aerated (Laminar), VR Aerated, VR Non-Aerated (VR Laminar). Rows include flow rates from 0.35 to 2.2 GPM and corresponding part numbers.

T&S Swing Nozzles

- 059X 6" Swing Nozzle
□ 060X 8" Swing Nozzle
□ 061X 10" Swing Nozzle
□ 062X 12" Swing Nozzle
□ 063X 14" Swing Nozzle
□ 064X 16" Swing Nozzle
□ 065X 18" Swing Nozzle
□ 066X 12" Double Joint Swing Nozzle
□ 067X 15" Double Joint Swing Nozzle
□ 068X 18" Double Joint Swing Nozzle
□ 069X 24" Double Joint Swing Nozzle

Optional Cartridges

- Quarter-Turn Cerama w/ Check Valve
□ Quarter-Turn Eterna w/ Spring Check (Standard)

Optional Handles

- 4" Wrist Action
□ Lever
□ 4-Arm (Standard)

T&S Swivel Goosenecks (D x K)

- 131X 2 13/16" x 2 9/16" Swivel Gooseneck
□ 132X 2 5/8" x 5 7/16" Swivel Gooseneck
□ 133X 5 11/16" x 6 1/4" Swivel Gooseneck
□ 135X 8 3/4" x 5 5/8" Swivel Gooseneck

