



# T&S BRASS AND BRONZE WORKS, INC.

2 Saddleback Cove / P.O. Box 1088  
Travelers Rest, SC 29690

Model No.  
EC-3100TMVHGF10

Item No.

Travelers Rest, SC: 800-476-4103 • Simi Valley, CA: 800-423-0150 • Fax: 864-834-3518 • www.tsbrass.com



ADA Compliant



This Space for Architect/Engineer Approval

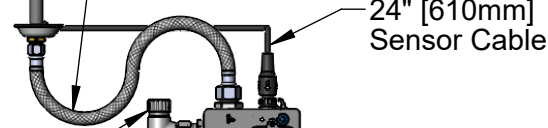
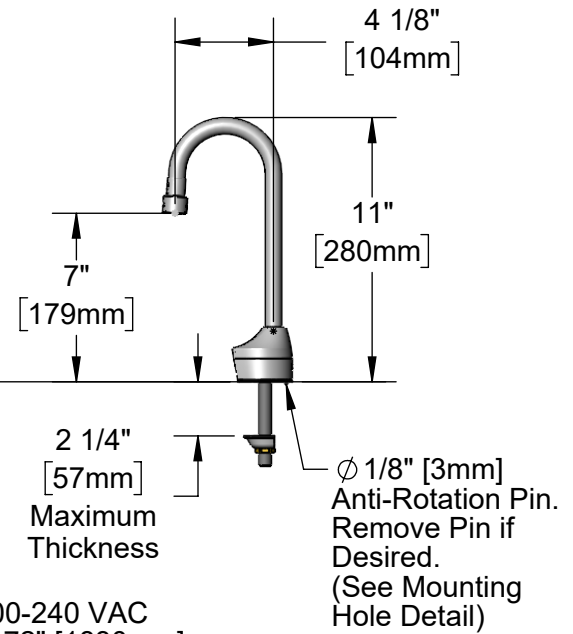
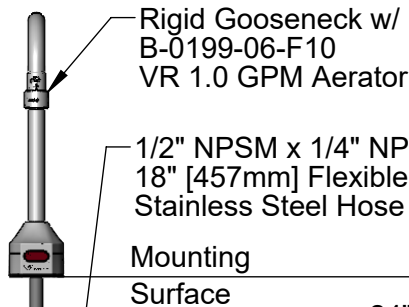
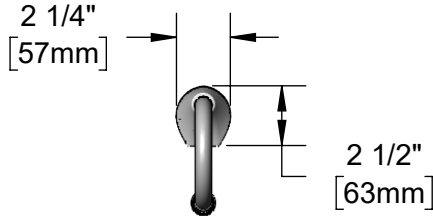
Job Name \_\_\_\_\_ Date \_\_\_\_\_

Model Specified \_\_\_\_\_ Quantity \_\_\_\_\_

Customer/Wholesaler \_\_\_\_\_

Contractor \_\_\_\_\_

Architect/Engineer \_\_\_\_\_



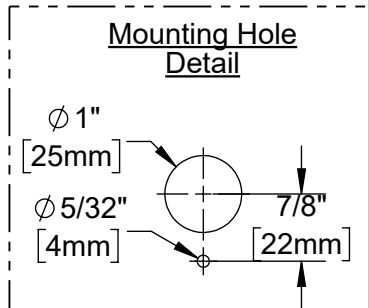
Removable Strainer  
EC-HYDROGEN Hydro-Generator Power Supply.  
No AA Batteries or AC Adapter Needed to Supply Power to Faucet

Optional 100-240 VAC Adapter w/ 72" [1830mm] Power Cord

4" x 4 3/8" x 2 3/16" Deep [102mm x 111mm x 56mm] Water Resistant Control Module Box (Grey) w/ Internal Flow Control Setting Switches AC or DC Operated w/ (4) AA Batteries Hardwire Capable Using Terminals on Back

EC-TMV Thermostatic Temperature Mixing Valve w/ Check Valves

(2) 3/8" Compression x 1/2" NPSM 18" [457mm] Flexible Stainless Steel Supply Hoses



Product Specifications:  
Chrome Plated Brass Electronic Faucet: Deck Mount Rigid Gooseneck w/ 1.0 GPM VR Aerator, AC/DC Control Module w/ Internal Flow Control Setting Switches, Thermostatic Temperature Control Mixing Valve w/ Integral Check Valves, Hydro-Generator and 18" Flexible Stainless Steel Supply Hoses

Product Compliance:  
ASME A112.18.1 / CSA B125.1  
NSF 61 - Section 9  
NSF 372 (Low Lead Content)  
ANSI A117.1 (ADA)  
UL 1951  
ASSE 1070 (TMV)



# T&S BRASS AND BRONZE WORKS, INC.

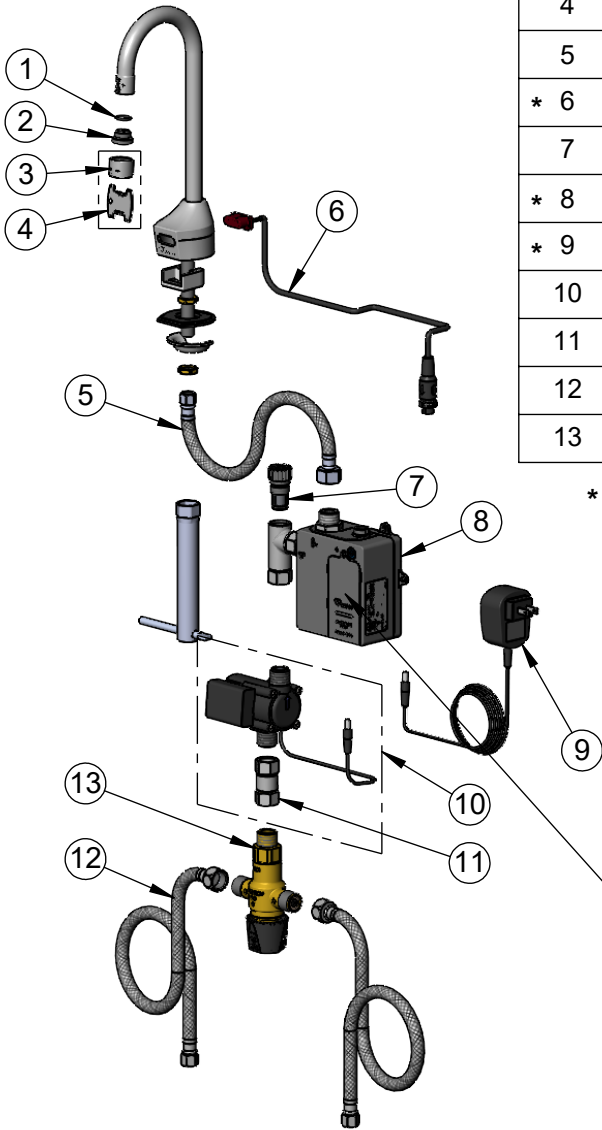
2 Saddleback Cove / P.O. Box 1088  
Travelers Rest, SC 29690

Model No.  
EC-3100TMVHGF10

Item No.

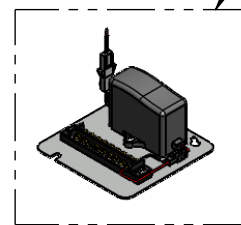
Travelers Rest, SC: 800-476-4103 • Simi Valley, CA: 800-423-0150 • Fax: 864-834-3518 • www.tsbrass.com

| ITEM NO. | SALES NO.     | DESCRIPTION                                   |
|----------|---------------|---|
| 1        | 006575-45     | O-Ring  |
| 2        | 044A          | 3/8" to Aerator Adapter                       |
| 3        | B-0199-06-F10 | VR 1.0 GPM Aerator, 55/64-27 UN Female w/ Key |
| 4        | 015425-45     | Vandal Resistant Key                          |
| 5        | 016297-45     | Inlet Hose, Faucet, 1/2" NPSM-F x 1/4" NPSM-F |
| * 6      | 019174-45     | Sensor Cable Assembly                         |
| 7        | EC-FILTER     | Replacement Filter                            |
| * 8      | 019944-45     | ChekPoint Control Module w/ Filter Tee        |
| * 9      | 5EF-0002C     | AC Adapter - US Plug                          |
| 10       | EC-HYDROGEN   | HydroGenerator Power Supply                   |
| 11       | 017506-45     | 1/2" NPSM Swivel Coupling                     |
| 12       | 5EF-0005      | Supply Hose, 9/16-24 Female x 1/2" NPSM       |
| 13       | EC-TMVV       | Thermostatic Mixing Valve                     |



\* For Versions Prior to 2021, Consult with T&S Customer Service

A Maximum of (8) ChekPoint Faucets can be Hardwire Connected and Powered by EC-HARDWIRE ChekPoint Hardwire AC Transformer. (Sold Separately)



Flow Control Switches are Located Behind Battery Compartment Cover.

- \* Switches are Set to DEFAULT Position:
- Auto Time Out = 15 Seconds
  - Shut Off Delay = 1 Second
  - Auto Flush = OFF
  - Metering Mode = OFF

**\* Available Water Flow Control Selections:**

- Auto Time Out: 15 sec, 30 sec, 45 sec, 60 sec, 3 min, 20 min
- Shut Off Delay: 1 sec, 10 sec, 15 sec, 30 sec
- Auto Flush (30 Seconds After Every 12 Inactive Hours): ON or OFF
- Metering Mode: ON or OFF

**Product Specifications:**

Chrome Plated Brass Electronic Faucet: Deck Mount Rigid Gooseneck w/ 1.0 GPM VR Aerator, AC/DC Control Module w/ Internal Flow Control Setting Switches, Thermostatic Temperature Control Mixing Valve w/ Integral Check Valves, Hydro-Generator and 18" Flexible Stainless Steel Supply Hoses

**Product Compliance:**

ASME A112.18.1 / CSA B125.1  
NSF 61 - Section 9  
NSF 372 (Low Lead Content)  
ANSI A117.1 (ADA)  
UL 1951  
ASSE 1070 (TMV)