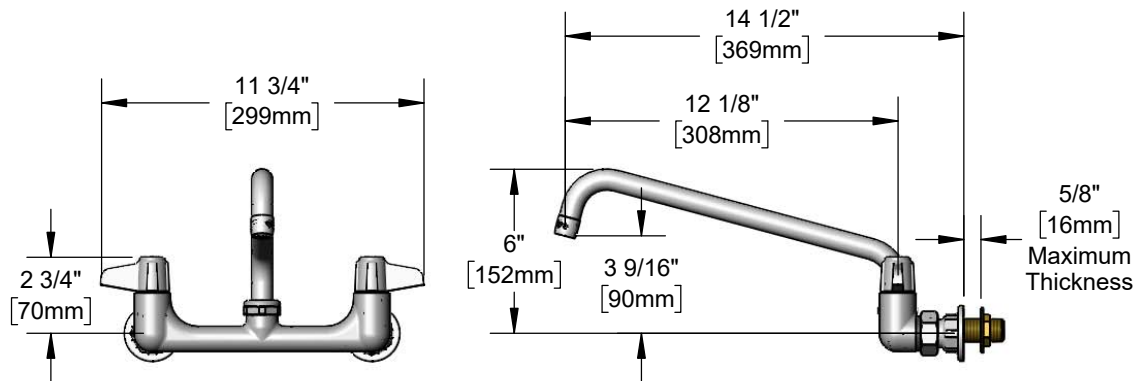
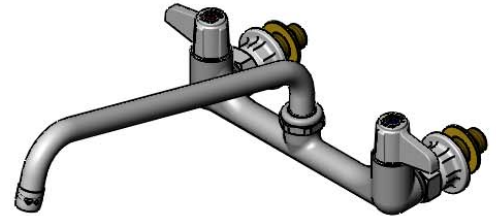


**Architect/Engineering Specifications:**

8" wall mount mixing faucet with polished chrome plated brass body, 12" equip swing nozzle, ceramic cartridges, equip lever handles and 1/2" NPT male supply nipple kit. Certified to ASME A112.18.1/CSA B125.1, NSF 61-Section 9 and NSF 372. Meets ADA ANSI/ICC A117.1 requirements.

Job Name \_\_\_\_\_  
 Model Specified \_\_\_\_\_ Quantity \_\_\_\_\_  
 Variations Specified \_\_\_\_\_  
 Date \_\_\_\_\_



**Features & Benefits:**

- 8" wall mount mixing faucet with polished chrome plated brass body
- 12" equip swing nozzle w/ laminar flow device
- Quarter-turn ceramic cartridges
- equip lever handles w/ color coded screws
- Ø2" wall flanges w/ 1/2" NPT female inlets
- 1/2" NPT male supply nipple kit
- Material: Polished chrome plated brass body & tubular spout and chrome plated metal handles

**Product Compliance:**

- ASME A112.18.1 / CSA B125.1
- NSF 61 - Section 9
- NSF 372 (Low Lead Content)
- ANSI A117.1 (ADA)



**Warranty:** One Year (Limited)

**Performance Data:**

- Pressure: 20 - 125 psi [1.38 - 8.62 bar]
- Temperature: 40 °F - 140 °F [4.44 °C - 60 °C]
- Flow Rate: 5.20 GPM [19.68 L/min] @ 60 psi [4.14 bar]



**ADA Compliant**