



T&S BRASS AND BRONZE WORKS, INC.

2 Saddleback Cove / P.O. Box 1088
Travelers Rest, SC 29690

Model No.

B-1172-01

Item No.

Travelers Rest, SC: 800-476-4103 • Simi Valley, CA: 800-423-0150 • Fax: 864-834-3518 • www.tsbrass.com

This Space for Architect/Engineer Approval

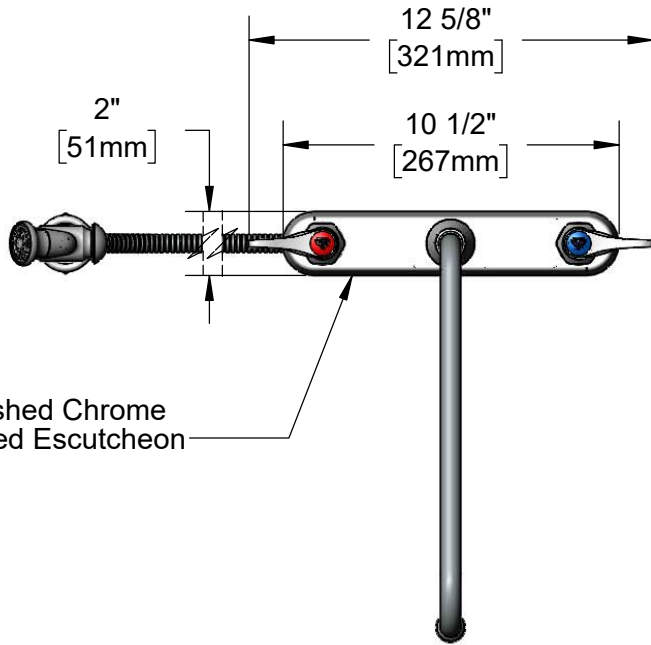
Job Name _____ Date _____

Model Specified _____ Quantity _____

Customer/Wholesaler _____

Contractor _____

Architect/Engineer _____



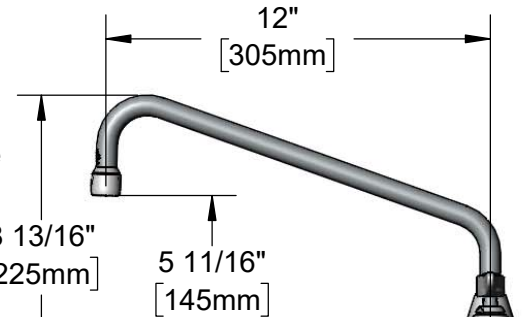
Quarter-Turn Eterna Cartridges w/ Spring Checks & Lever Handles w/ Color Coded Indexes

12" Swing Nozzle w/ B-0199-01 2.2 GPM Aerator

Spray Valve

3 5/16" [84mm]

360° Swivel Piece



B-KF Deck Flange

1" [26mm]

Mounting Surface

1" [25mm]

1/2" NPT Male Inlets

1/8" [3mm] Maximum Thickness

96" Flexible Stainless Steel Hose

(2) 150A Optional Tailpieces & Nuts for 1/4" NPT Connection (Included)

Rough-In Requirement:

Faucet: (3) ϕ 1" [25mm] Mounting Holes

Deck Flange: (1) ϕ 1 9/16" [40mm] Mounting Hole

Product Specifications:

8" Deck Mount Workboard Mixing Faucet, Quarter-Turn Eterna Cartridges w/ Spring Checks, Lever Handles, 12" Swing Nozzle, 2.2 GPM Aerator, 96" Flexible Stainless Steel Hose, Spray Valve w/ 2.2 GPM Rosespray, Deck Flange & 1/2" NPT Male Inlets

Product Compliance:

ASME A112.18.1 / CSA B125.1
NSF 61 - Section 9
NSF 372 (Low Lead Content)
2019 DOE PRSV Non-Compliant



T&S BRASS AND BRONZE WORKS, INC.

2 Saddleback Cove / P.O. Box 1088
Travelers Rest, SC 29690

Model No.

B-1172-01

Item No.

Travelers Rest, SC: 800-476-4103 • Simi Valley, CA: 800-423-0150 • Fax: 864-834-3518 • www.tsbrass.com

	ITEM NO.	SALES NO.	DESCRIPTION
	1	002857-40	2.2 GPM Spray Valve Assembly
	2	001010-40	Washer, Stainless Steel
	3	B-KF	Protective Flange
	4	010476-45	#27 Washer
	5	B-0199-01	2.2 GPM Aerator, 55/64-27 UN Female
	6	001486-45	Diverter Cover Screw
	7	006562-45	O-Ring
	8	018506-19NS	Blue Button Index, Press-in
	9	000925-45	Lab Handle Screw
	10	001638-45NS	Lever Handle (New Style)
	11	012442-40NS	Quarter-Turn Eterna Cartridge w/ Spring Check, LTC
	12	019376-40	Escutcheon Lock Nut
	13	019375-40	B-1120 Eterna Workboard Escutcheon
	14	002338-45	Valve Diverter Piston
	15	000542-25	1/8" NPT x 3/4-14 Male Adapter
	16	150A	1/4" NPT Tailpiece & Nut
	17	002954-45	Shank Lock Nut
	18	000999-45	Brass Lock Washer
	19	012443-40NS	Quarter-Turn Eterna Cartridge w/ Spring Check, RTC
	20	001193-19NS	Red Button Index, Press-in
	21	002711-40NS	Quarter-Turn Eterna Cartridge w/ Spring Check, Handle, Blue Index & Screw, LTC
	22	002712-40NS	Quarter-Turn Eterna Cartridge w/ Spring Check, Handle, Red Index & Screw, RTC
	23	013E-96H	96" Flexible Stainless Steel Hose w/ Washers

Product Specifications:
8" Deck Mount Workboard Mixing Faucet, Quarter-Turn Eterna Cartridges w/ Spring Checks, Lever Handles, 12" Swing Nozzle, 2.2 GPM Aerator, 96" Flexible Stainless Steel Hose, Spray Valve w/ 2.2 GPM Rosespray, Deck Flange & 1/2" NPT Male Inlets

Product Compliance:
ASME A112.18.1 / CSA B125.1
NSF 61 - Section 9
NSF 372 (Low Lead Content)
2019 DOE PRSV Non-Compliant