



Architect/Engineering Specifications:

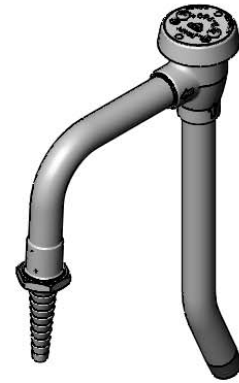
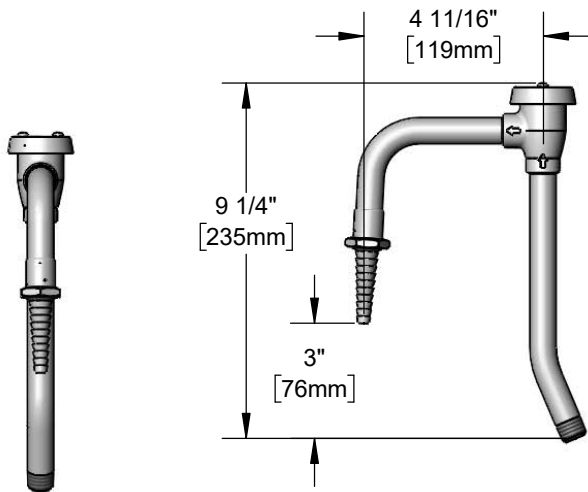
Rigid nozzle with polished chrome plated brass riser and nozzle, atmospheric vacuum breaker and serrated tip outlet with 0.5 GPM flow control. Certified to ASME A112.18.1/CSA B125.1, NSF 61-Section 9, NSF 372 and ASSE 1001.

Job Name _____

Model Specified _____ Quantity _____

Variations Specified _____

Date _____



Features & Benefits:

- Polished chrome plated brass rigid nozzle
- 7" angled riser with 3/8" NPT male inlet
- 3/8" NPT atmospheric vacuum breaker not for continuous pressure
- 5 5/8" spread rigid nozzle
- Serrated tip outlet w/ 0.5 GPM flow control & washer
- Material: Polished chrome plated brass tubular nozzle and riser

Product Compliance:

- ASME A112.18.1 / CSA B125.1
- NSF 61 - Section 9
- NSF 372 (Low Lead Content)
- ASSE 1001 (VB)

Warranty: One Year (Limited)

Performance Data:

- Pressure: 20 - 125 psi
- Temperature: 40 °F - 140 °F
- Flow Rate: 0.5 GPM @ 60 psi

