



T&S BRASS AND BRONZE WORKS, INC.
 2 Saddleback Cove / P.O. Box 1088
 Travelers Rest, SC 29690

Model No.
002986-40

Item No.

Travelers Rest, SC: 800-476-4103 • Simi Valley, CA: 800-423-0150 • Fax: 864-834-3518 • www.tsbrass.com

This Space for Architect/Engineer Approval

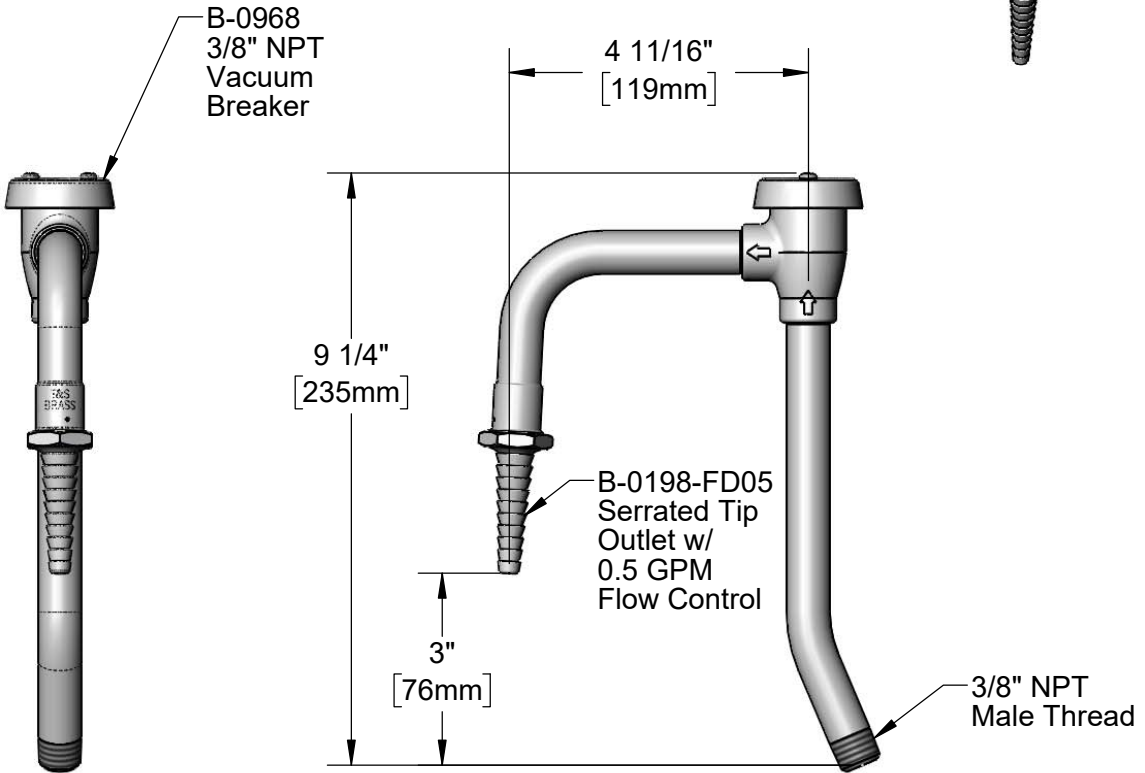
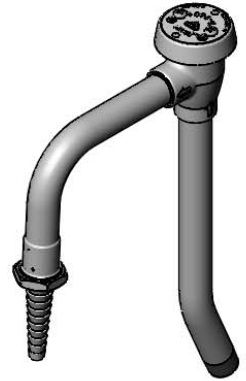
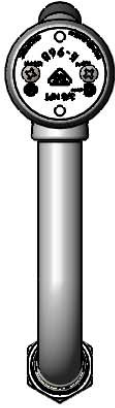
Job Name _____ Date _____

Model Specified _____ Quantity _____

Customer/Wholesaler _____

Contractor _____

Architect/Engineer _____



Product Specifications:
 3/8" NPT Vacuum Breaker Nozzle w/ 0.5 GPM Flow Control & 3/8" NPT x 7" Angled Riser

Product Compliance:
 ASME A112.18.1 / CSA B125.1
 NSF 61 - Section 9
 NSF 372 (Low Lead Content)
 ASSE 1001 (VB)



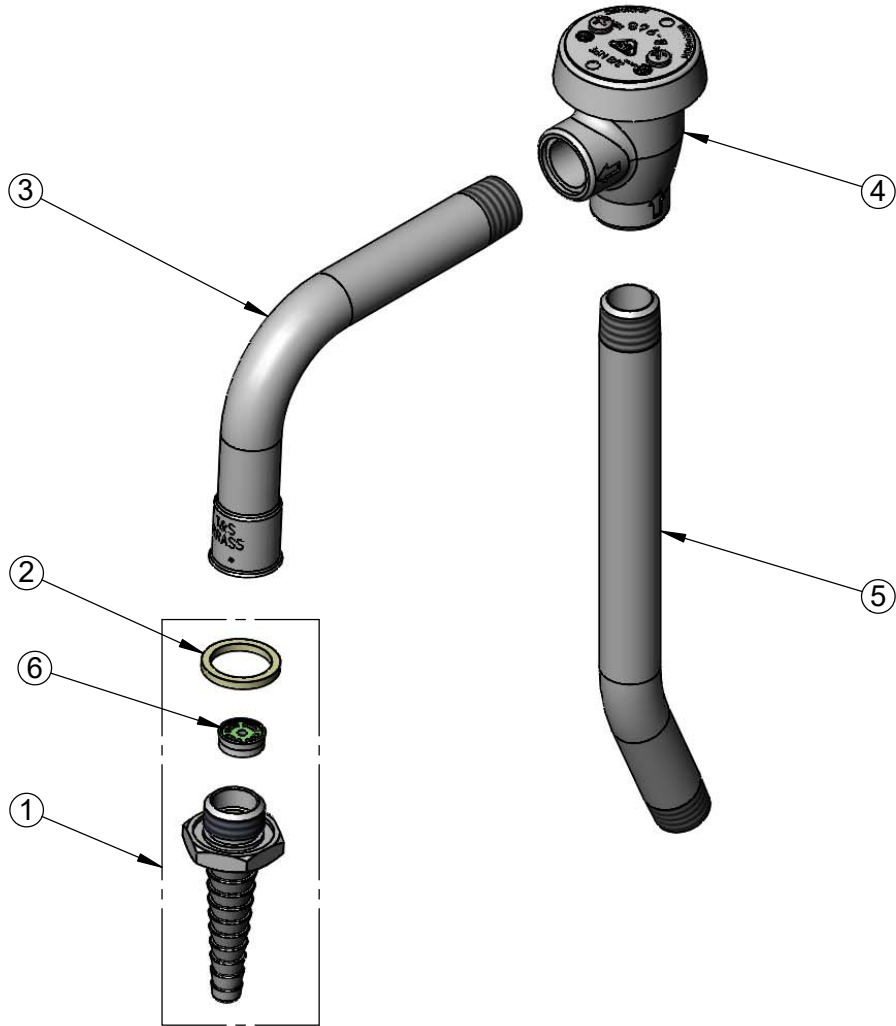
T&S BRASS AND BRONZE WORKS, INC.
 2 Saddleback Cove / P.O. Box 1088
 Travelers Rest, SC 29690

Model No.
002986-40

Item No.

Travelers Rest, SC: 800-476-4103 • Simi Valley, CA: 800-423-0150 • Fax: 864-834-3518 • www.tsbrass.com

ITEM NO.	SALES NO.	DESCRIPTION
1	B-0198-FD05	Serrated Tip w/ 0.5 GPM Flow Control & Washer
2	001051-45	Washer
3	106X	Nozzle, 3/8" NPT, Brass
4	B-0968	3/8" NPT Vacuum Breaker
5	001522-40	3/8" NPT x 7" Angled Riser
6	FD05	Flow Disc, 0.5 GPM [1.9 L/min.] (Lime)



Product Specifications:
 3/8" NPT Vacuum Breaker Nozzle w/ 0.5 GPM Flow Control & 3/8" NPT x 7"
 Angled Riser

Product Compliance:
 ASME A112.18.1 / CSA B125.1
 NSF 61 - Section 9
 NSF 372 (Low Lead Content)
 ASSE 1001 (VB)