



ADA Compliant

This Space for Architect/Engineer Approval

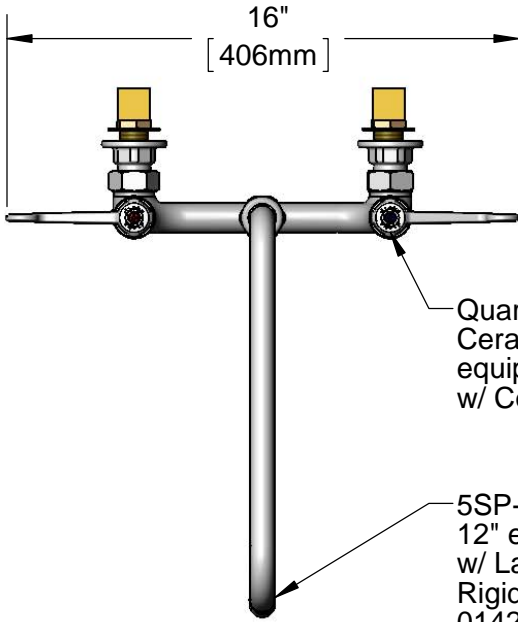
Job Name _____ Date _____

Model Specified _____ Quantity _____

Customer/Wholesaler _____

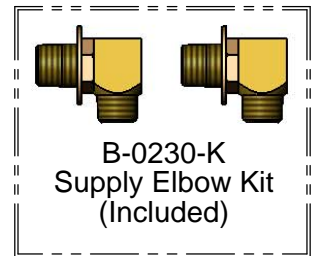
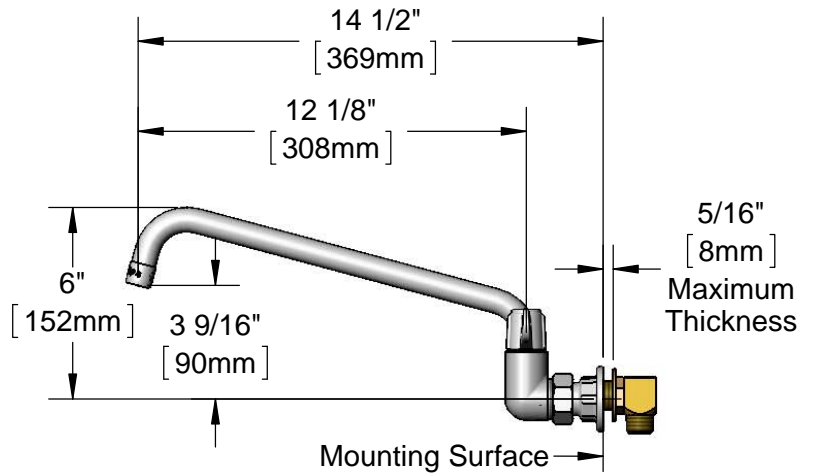
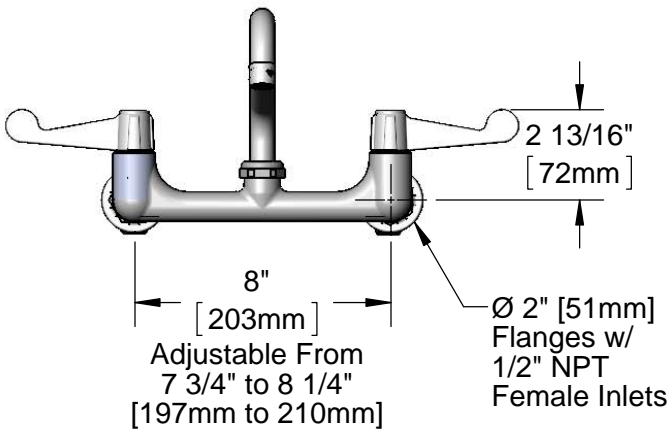
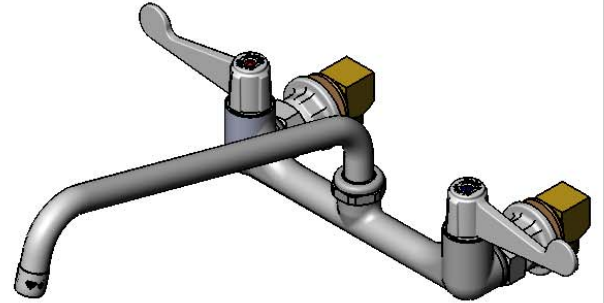
Contractor _____

Architect/Engineer _____



Quarter-Turn Ceramic Cartridges & equip 4" Wrist Action Handles w/ Color Coded Screws

5SP-12 12" equip Swing Nozzle w/ Laminar Flow Device. Rigid Conversion Requires 014200-45 Lock Washer (Sold Separately)



Rough-In Requirement:
(2) Ø 1" [25mm] Mounting Holes

Model Number
5F-8WWS12

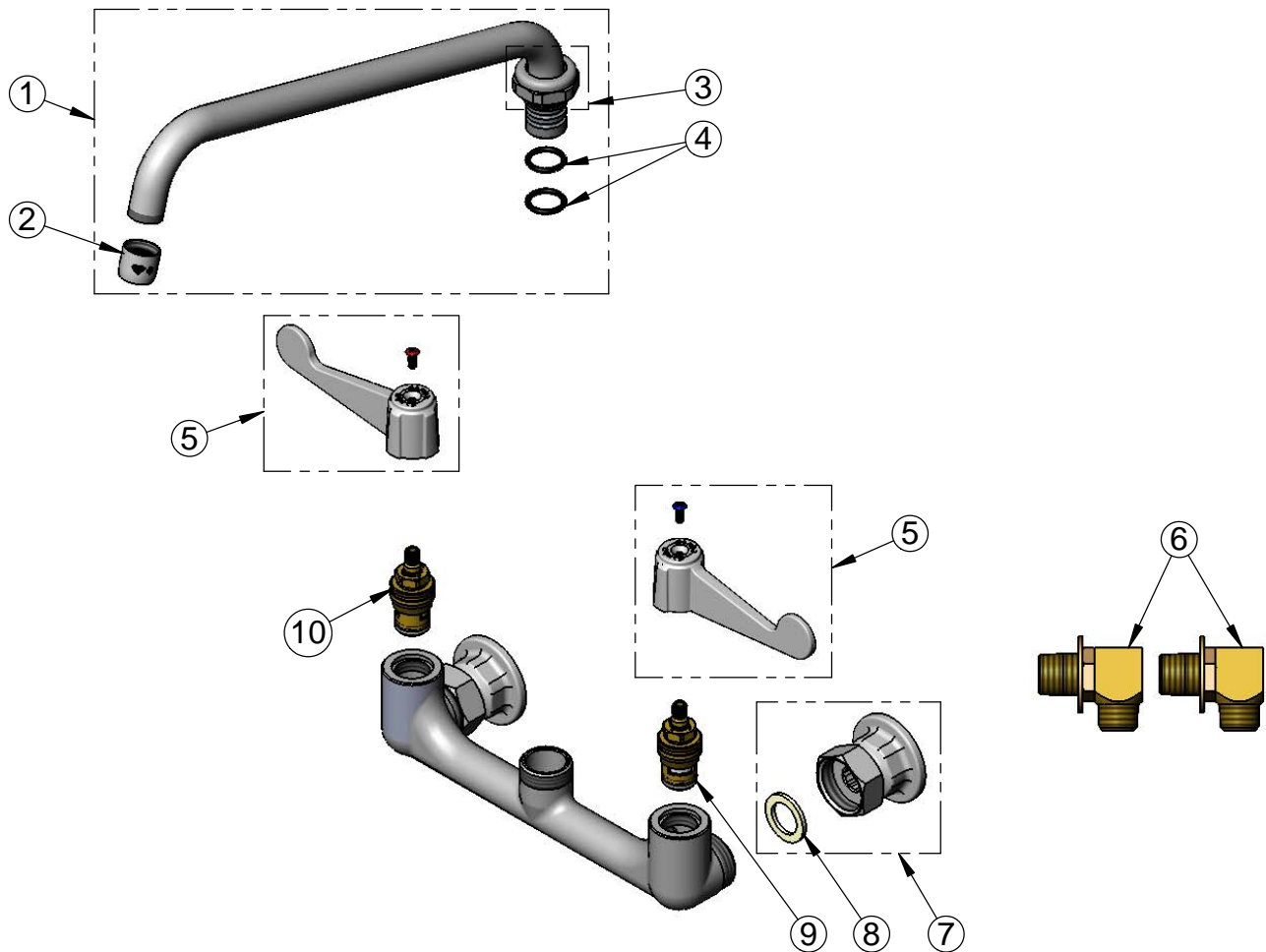
Product Specifications:
8" Wall Mount Mixing Faucet w/ Ceramic Cartridges, equip 4" Wrist Action Handles, 12" equip Swing Nozzle & 1/2" NPT Supply Elbow Kit

Product Compliance:
ASME A112.18.1 / CSA B125.1
NSF 61 - Section 9
NSF 372 (Low Lead Content)
ANSI A117.1 (ADA)

equip Foodservice Accessories

2 Saddleback Cove, P.O. Box 1088
Travelers Rest, South Carolina 29690
Phone: 800.891.4808 Fax: 800.868.0084
equip.tsbrass.com

ITEM NO.	SALES NO.	DESCRIPTION
1	5SP-12	12" equip Swing Nozzle
2	014250-40	Laminar Flow Device
3	013839-25	equip Swivel Nut
4	013848-45	equip Swivel Piece O-ring
5	5-HDL-W	equip 4" Wrist Action Handle w/ Color Coded Screws
6	B-0230-K	1/2" NPT Supply Inlet Kit
7	00AA	1/2" NPT Female Eccentric Flange
8	001019-45	Coupling Nut Washer
9	013788-45	equip Ceramic Cartridge, LTC
10	013787-45	equip Ceramic Cartridge, RTC



Model Number

5F-8WWS12

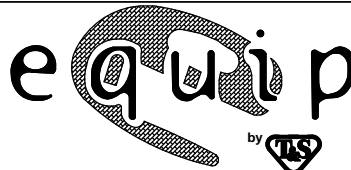
Product Specifications:

**8" Wall Mount Mixing Faucet w/ Ceramic Cartridges,
equip 4" Wrist Action Handles, 12" equip Swing Nozzle
& 1/2" NPT Supply Elbow Kit**

Product Compliance:

ASME A112.18.1 / CSA B125.1
NSF 61 - Section 9
NSF 372 (Low Lead Content)
ANSI A117.1 (ADA)

equip
Foodservice
Accessories



2 Saddleback Cove, P.O. Box 1088
Travelers Rest, South Carolina 29690
Phone: 800.891.4808 Fax: 800.868.0084
equip.tsbrass.com