



Faucets

5F-6DLS10-F15

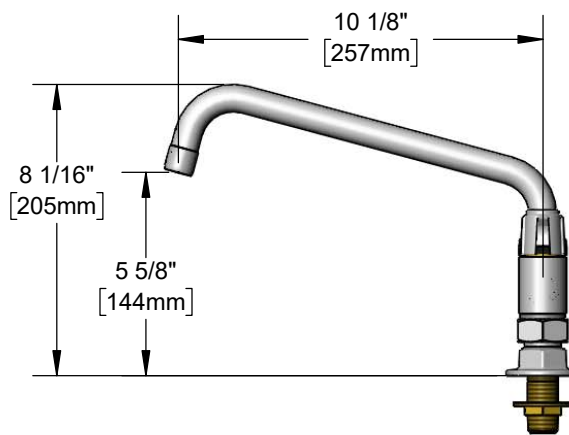
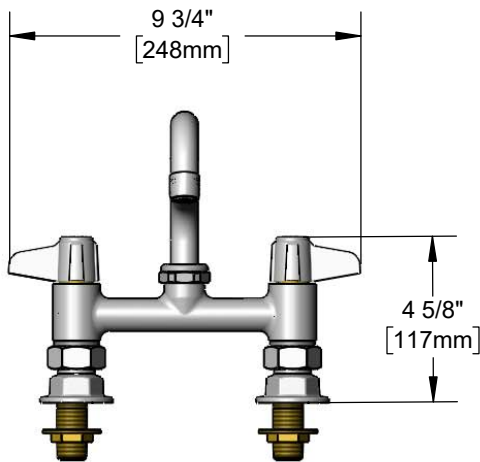
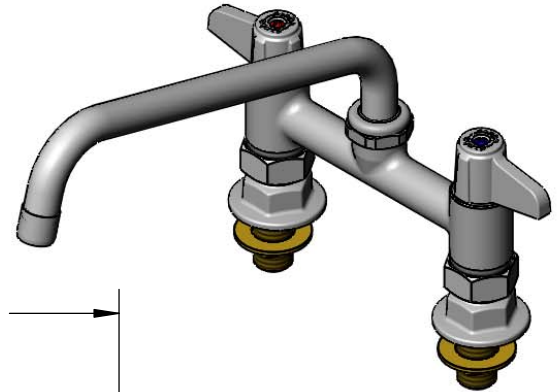
TAG:

Double Pantry Faucet

Architect/Engineering Specifications:

6" deck mount mixing faucet with polished chrome plated brass body, 10 1/8" swing nozzle with 1.5 GPM aerator, ceramic cartridges, lever handles, 1/2" NPT female eccentric inlets and 1/2" NPT Male inlets. Certified to ASME A112.18.1\CSA B125.1, NSF 61-Section 9 and NSF 372. Meets ADA ANSICC A117.1 requirements.

Job Name _____
 Model Specified _____ Quantity _____
 Variations Specified _____
 Date _____



Features & Benefits:

- 6" deck mount mixing faucet w/ polished chrome plated brass body
- 10 1/8" equip swivel nozzle w/ 1.5 GPM aerator
- equip quarter-turn ceramic cartridges
- equip lever handles w/ color coded screws
- 1/2" NPT female eccentric inlets w/ \varnothing 2" flanges
- Adjustable centers from 5 3/4" to 6 1/4"
- 1/2" NPT male supply nipple kit
- Material: Polished chrome plated brass body & tubular spout and chrome plated metal handles

Product Compliance:

- ASME A112.18.1 / CSA B125.1
- NSF 61 - Section 9
- NSF 372 (Low Lead Content)
- ANSI A117.1 (ADA)

Warranty: One Year (Limited)

Performance Data:

- Pressure: 20 - 125 psi [1.38 - 8.62 bar]
- Temperature: 40 °F - 140 °F [4.44 °C - 60 °C]
- Flow Rate: 1.5 GPM [5.68 L/min] @ 60 psi [4.14 bar]



ADA Compliant



equip Foodservice Accessories



• 2 Saddleback Cove • Travelers Rest, SC 29690
Ph 800-891-4808 • Fax 800-868-0084
www.tsbrass.com

Date: 12/16/21