



Architect/Engineering Specifications:

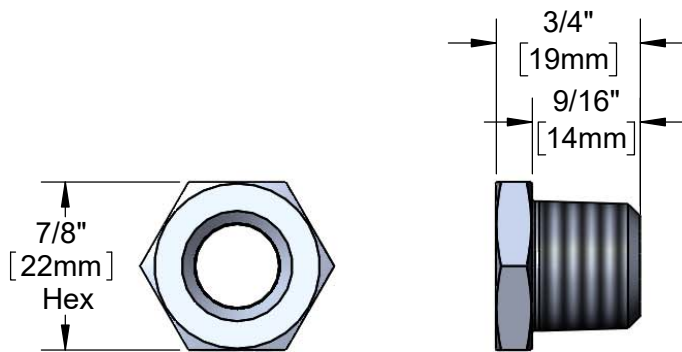
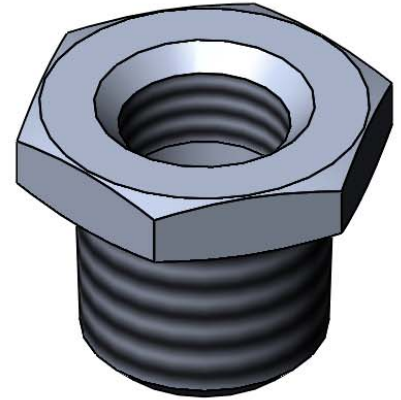
Polished chrome plated hex bushing with 3/8" NPT male x 1/4" NPT female threads. Certified to NSF 61-Section 9 and NSF 372.

Job Name _____

Model Specified _____ Quantity _____

Variations Specified _____

Date _____



Features & Benefits:

- Polished chrome plated hex bushing
- 3/8" NPT male x 1/4" NPT female threads
- Material: Polished chrome plated brass

Product Compliance:

- NSF 61 - Section 9
- NSF 372 (Low Lead Content)



Warranty: One Year (Limited)



Performance Data:

- N/A

