

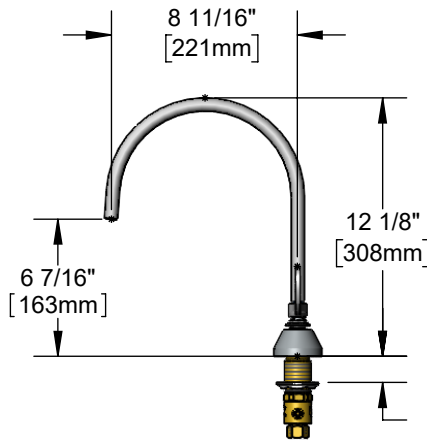
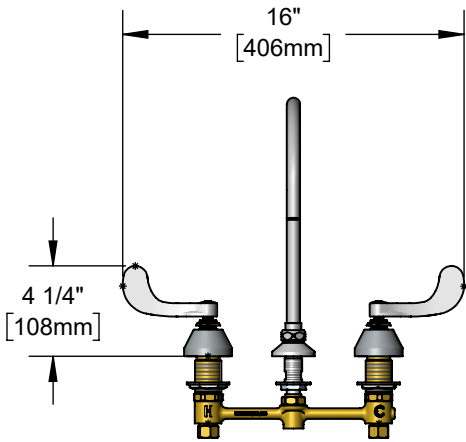


## B-2862-08-LF16 **EasyInstall** Concealed Widespread Lavatory Faucet

### Architect/Engineering Specifications:

8" concealed deck mount mixing faucet with forged brass body, 8 11/16" swivel/rigid gooseneck with plain end outlet, 1.5 GPM flow disc in swivel piece, compression cartridges with spring checks, 4" wrist action handles, polished chrome plated escutcheons and 1/2" NPSM male inlets with coupling nuts. Certified to ASME A112.18.1/CSA B125.1, NSF 61-Section 9 and NSF 372. Meets ADA ANSI/ICC A117.1 requirements.

Job Name \_\_\_\_\_  
 Model Specified \_\_\_\_\_ Quantity \_\_\_\_\_  
 Variations Specified \_\_\_\_\_  
 Date \_\_\_\_\_



1 1/4" [31mm] Maximum Thickness

### Features & Benefits:

- 8" EasyInstall concealed deck mount mixing faucet w/ forged brass body
- 8 11/16" swivel/rigid gooseneck w/ plain end outlet
- Lock washer provided for rigid application
- 1.5 GPM flow disc in swivel piece
- Quarter-turn Eterna compression cartridges w/ spring checks to prevent cross flow of water
- 4" wrist action handles w/ color coded indexes
- 1/2" NPT male inlets w/ coupling nuts
- Material: Forged brass body, polished chrome plated brass tubular spout and chrome plated metal handles

### Product Compliance:

- ASME A112.18.1 / CSA B125.1
- NSF 61 - Section 9
- NSF 372 (Low Lead Content)
- ANSI A117.1 (ADA)
- EPA WaterSense

**Warranty:** One Year (Limited)

### Performance Data:

- Pressure: 20 - 125 psi [1.38 - 8.62 bar]
- Temperature: 40°F - 140°F [4.44°C - 60°C]
- Flow Rate: 1.5 GPM [5.68 L/min] @ 60 psi [4.14 bar]



ADA Compliant



### Optional Flow Disc

GPM	Model No	Optional Cartridges
0.5	<input type="checkbox"/> FD05	<input type="checkbox"/> Quarter-Turn Cerama w/ Check Valve
1.0	<input type="checkbox"/> FD10	<input type="checkbox"/> Quarter-Turn Eterna w/ Spring Check (Standard)
1.2	<input type="checkbox"/> FD12	<input type="checkbox"/> Push Button Metering
1.5	Standard	<input type="checkbox"/> Pivot Action Metering
2.2	<input type="checkbox"/> FD22	<input type="checkbox"/> Wrist Action Metering

### Optional Handles

- 4" Wrist Action (Standard)
- Lever
- 4-Arm

