



#### Architect/Engineering Specifications:

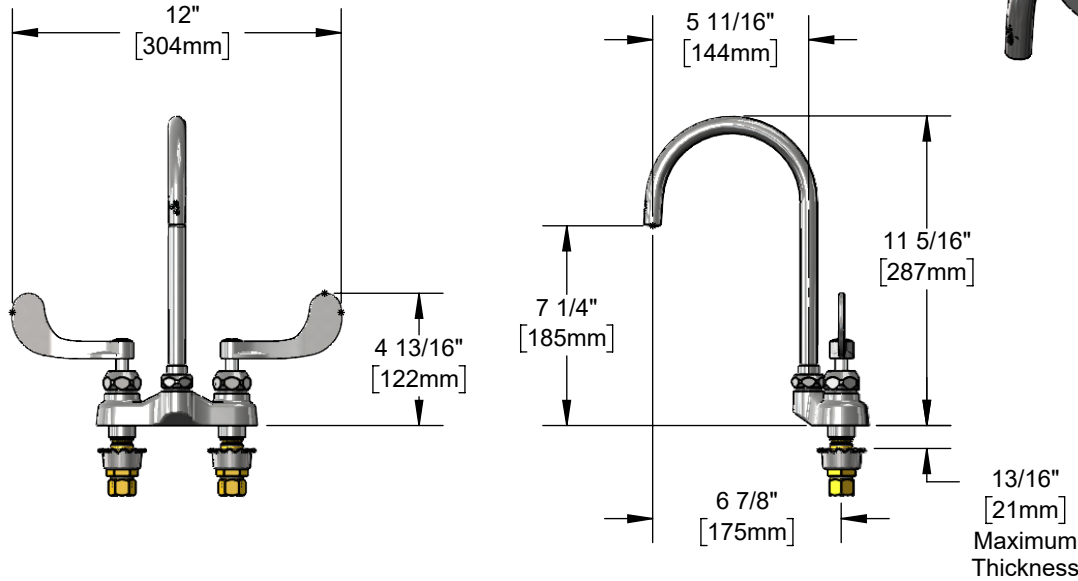
4" deck mount mixing faucet with polished chrome plated brass body, 5 11/16" laminar swivel/rigid gooseneck with plain end outlet, 1.2 GPM flow disc in swivel piece, ceramic cartridges with check valves, 4" wrist action handles and 1/2" NPSM male inlets with compression nuts. Certified to ASME A112.18.1/CSA B125.1, NSF 61-Section 9 and NSF 372. Meets ADA ANSI/ICC A117.1 requirements.

Job Name \_\_\_\_\_

Model Specified \_\_\_\_\_ Quantity \_\_\_\_\_

Variations Specified \_\_\_\_\_

Date \_\_\_\_\_



#### Features & Benefits:

- 4" deck mount mixing faucet w/ polished chrome plated brass body
- 5 11/16" laminar swivel/rigid gooseneck w/ plain end
- Lock washer included for rigid applications
- 1.2 GPM flow disc in swivel piece
- Quarter-turn Cerama cartridges with check valves to prevent crossflow of water
- 4" wrist action handles with color coded indexes
- 1/2" NPSM male inlets with coupling nuts
- Material: Polished chrome plated brass body and tubular spout, chrome plated metal handles

#### Product Compliance:

- ASME A112.18.1 / CSA B125.1
- NSF 61 - Section 9
- NSF 372 (Low Lead Content)
- ANSI A117.1 (ADA)

#### Warranty: One Year (Limited)

- Cerama Cartridge: Lifetime (Limited)

#### Performance Data:

- Pressure: 20 - 125 psi [1.38 - 8.62 bar]
- Temperature: 40°F - 140°F [4.44°C - 60°C]
- Flow Rate: 1.2 GPM [4.5 L/min] @ 60 psi [4.14 bar]



ADA Compliant

#### Optional Handles

- 4" Wrist Action (Standard)
- 4-Arm
- Lever

#### Optional Cartridges

- Quarter-Turn Cerama w/ Check Valve (Standard)
- Quarter-Turn Eterna w/ Spring Check
- Metering

