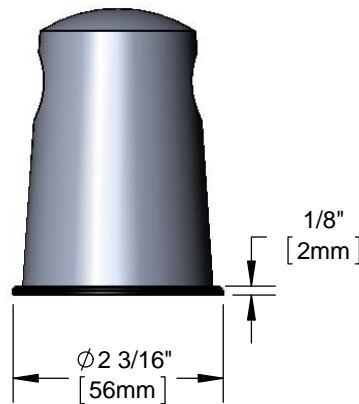
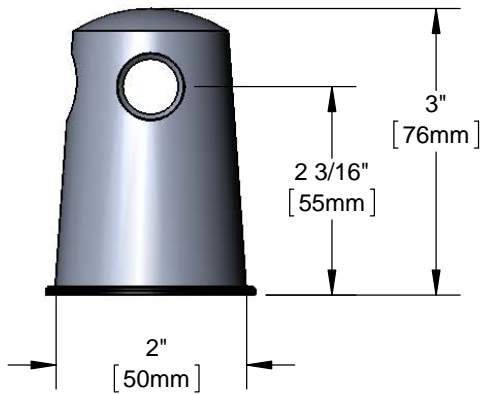
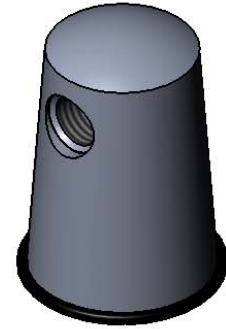




Architect/Engineering Specifications:

Laboratory turret with polished chrome plated brass body, (3) 3/8" NPT female outlets at 90 degrees apart and 3/8" NPT female inlet.

Job Name _____
 Model Specified _____ Quantity _____
 Variations Specified _____
 Date _____



Features & Benefits:

- Laboratory turret with polished chrome plated brass body
- (3) 3/8" NPT female outlets
- 3/8" NPT female inlet in base
- Black plastic base gasket
- Material: Polished chrome plated brass body

Product Compliance:

- N/A

Warranty: One Year (Limited)

Performance Data:

- N/A

