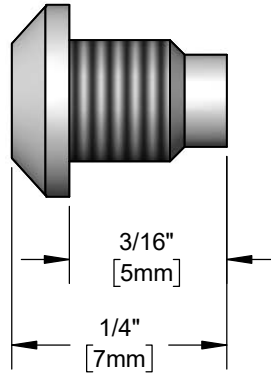
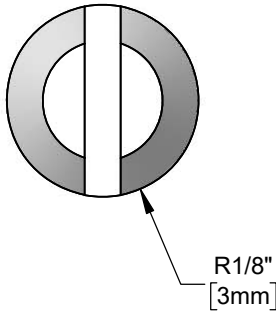
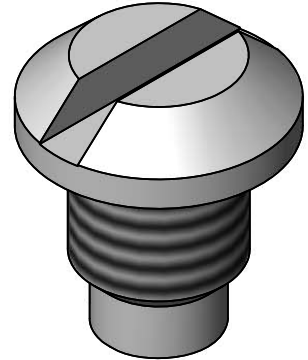




**Architect/Engineering Specifications:**

Chrome plated diverter cover screw with #8-32 UN male thread.

Job Name \_\_\_\_\_  
 Model Specified \_\_\_\_\_ Quantity \_\_\_\_\_  
 Variations Specified \_\_\_\_\_  
 Date \_\_\_\_\_



**Features & Benefits:**

- Screw for diverter cover
- #8-32 UNF male thread
- Material: Chrome plated brass

**Product Compliance:**

- N/A

**Warranty:** One Year (Limited)

**Performance Data:**

- N/A

