



# Faucets and Fittings

## 5SP-05C-F15

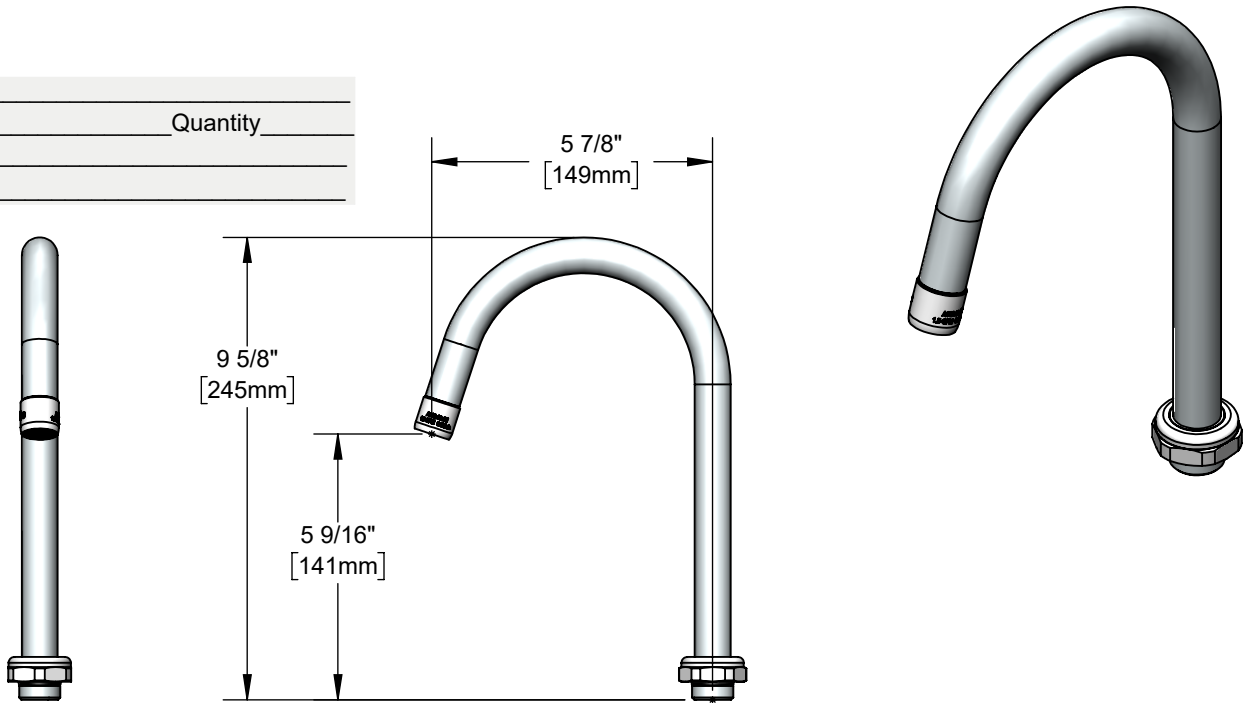
TAG:

### 5 7/8" Swivel Gooseneck

#### Architect/Engineering Specifications:

5 7/8" swivel gooseneck with polished chrome plated brass tubular body and 1.5 GPM aerator with 3/4-27UN female threads. Certified to ASME A112.18.1/CSA B125.1, NSF 61-Section 9 and NSF 372.

Job Name \_\_\_\_\_  
 Model Specified \_\_\_\_\_ Quantity \_\_\_\_\_  
 Variations Specified \_\_\_\_\_  
 Date \_\_\_\_\_



#### Features & Benefits:

- 5 7/8" swivel gooseneck
- 1.5 GPM aerator with 3/4-27UN female threads
- Fits all equip swivel outlet faucets
- Materials: Chrome plated brass tubular spout

#### Product Compliance:

- ASME A112.18.1 / CSA B125.1
- NSF 61 - Section 9
- NSF 372 (Low Lead Content)



**Warranty:** One Year (Limited)



#### Performance Data:

- Pressure: 20 - 125 psi [1.38 - 8.62 bar]
- Temperature: 40°F - 140°F [4.44°C - 60°C]
- Flow Rate: 1.5 GPM [5.68 L/min] @ 60 psi [4.14 bar]



equip Foodservice Accessories



• 2 Saddleback Cove • Travelers Rest, SC 29690  
Ph 800-891-4808 • Fax 800-868-0084  
www.tsbrass.com

Date: 10/30/23