



T&S BRASS AND BRONZE WORKS, INC.
 2 Saddleback Cove / P.O. Box 1088
 Travelers Rest, SC 29690

Model No.
B-2285-CR

Item No.

Travelers Rest, SC: 800-476-4103 • Simi Valley, CA: 800-423-0150 • Fax: 864-834-3518 • www.tsbrass.com

This Space for Architect/Engineer Approval

Job Name _____ Date _____

Model Specified _____ Quantity _____

Customer/Wholesaler _____

Contractor _____

Architect/Engineer _____



44" Flexible Stainless Steel Hose w/ Spring & Spray Valve

Items Not Shown For Clarity

Finger Hook

B-0107
 1.15 GPM
 Spray Valve

3/8" NPT x 24" Riser

EasyInstall Lock Nut & Bushing

Quarter-Turn Cerama Cartridge w/ Check Valve & Lever Handle w/ Blue Color Coded Index

2 7/16" [62mm]

Ø 2" [51mm] Flange w/ 1/2" NPSM Male Inlet

12 15/16" [329mm]

14 1/16" [357mm]

Mounting Surface

42 1/2" [1079mm]

150A
 Optional Tailpiece & Nut For 1/4" NPT Connection (Included)

1 5/8" [41mm] Maximum Thickness

Rough-In Requirement:
 Ø 1" [25mm] Mounting Hole

Product Specifications:

Pre-Rinse Unit: EasyInstall Single Hole Single Temperature Deck Mount Faucet, Quarter-Turn Cerama Cartridge w/ Check Valve, Lever Handle, 44" Flexible Stainless Steel Hose, 1.15 GPM Spray Valve & 1/2" NPSM Male Inlet

Product Compliance:

ASME A112.18.1 / CSA B125.1
 NSF 61 - Section 9
 NSF 372 (Low Lead Content)
 2019 DOE PRSV - Class II



T&S BRASS AND BRONZE WORKS, INC.

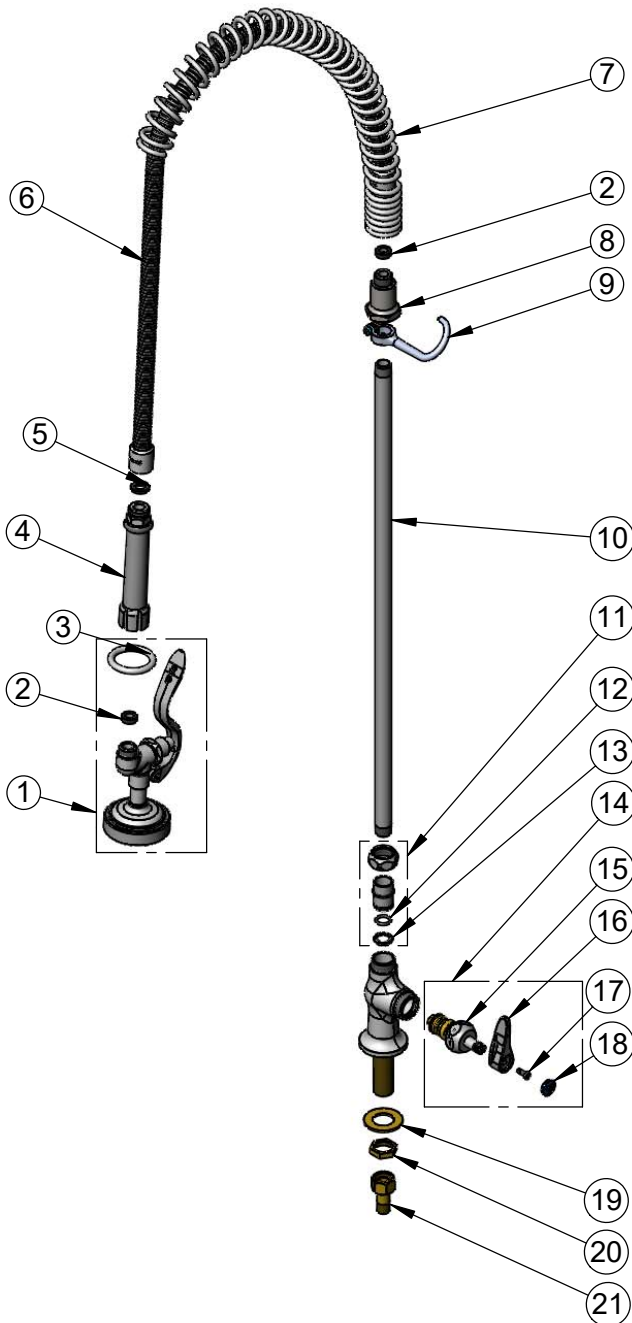
2 Saddleback Cove / P.O. Box 1088
Travelers Rest, SC 29690

Model No.

B-2285-CR

Item No.

Travelers Rest, SC: 800-476-4103 • Simi Valley, CA: 800-423-0150 • Fax: 864-834-3518 • www.tsbrass.com



ITEM NO.	SALES NO.	DESCRIPTION
1	B-0107	1.15 GPM Spray Valve
2	010476-45	#27 Washer
3	000907-45	Spray Valve Hold Down Ring
4	002987-40	Grip Handle
5	001014-45	Washer, B-0100 Hose Barrel
6	B-0044-H2A	44" Flexible Stainless Steel Hose, Less Handle
7	000888-45	EasyInstall Overhead Spring
8	000821-40	Spring Body
9	004R	Finger Hook
10	000372-40	3/8" NPT x 24" Riser
11	EZ-K	EasyInstall Kit: Nut, Bushing, O-ring & Lock Washer
12	001065-45	O-Ring
13	014200-45	Star Washer, Anti-Rotation
14	019641-25	Quarter-Turn Cerama Cartridge RTC w/ Check Valve, Handle, Blue Index & Screw
15	012394-25NS	Quarter-Turn Cerama Cartridge w/ Check Valve, RTC
16	001638-45NS	Lever Handle (New Style)
17	000925-45	Lab Handle Screw
18	018506-19NS	Blue Button Index, Press-in
19	000999-45	Brass Lock Washer
20	002954-45	Shank Lock Nut
21	150A	1/4" NPT Tailpiece Nut

Product Specifications:

Pre-Rinse Unit: EasyInstall Single Hole Single Temperature Deck Mount Faucet, Quarter-Turn Cerama Cartridge w/ Check Valve, Lever Handle, 44" Flexible Stainless Steel Hose, 1.15 GPM Spray Valve & 1/2" NPSM Male Inlet

Product Compliance:

ASME A112.18.1 / CSA B125.1
NSF 61 - Section 9
NSF 372 (Low Lead Content)
2019 DOE PRSV - Class II