



T&S BRASS AND BRONZE WORKS, INC.

2 Saddleback Cove / P.O. Box 1088
Travelers Rest, SC 29690

Model No.

B-0133-01-36H

Item No.

Travelers Rest, SC: 800-476-4103 • Simi Valley, CA: 800-423-0150 • Fax: 864-834-3518 • www.tsbrass.com

This Space for Architect/Engineer Approval

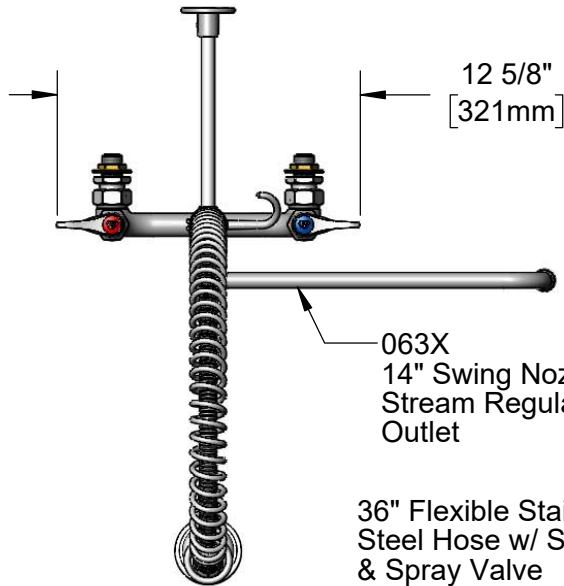
Job Name _____ Date _____

Model Specified _____ Quantity _____

Customer/Wholesaler _____

Contractor _____

Architect/Engineer _____



36" Flexible Stainless
Steel Hose w/ Spring
& Spray Valve

B-0109-02
9" Wall
Bracket

37 9/16"
[954mm]

Items Not Shown
For Clarity

Finger Hook

B-0107
1.15 GPM
Spray Valve

3/8" NPT x
18" Riser

14"
[356mm]

EasyInstall
Add-On
Faucet
w/ Quarter-
Turn Eterna
Cartridge
& Lever
Handle

2 5/16"
[59mm]

Mounting
Surface

12 3/4"
[323mm]

EasyInstall
Lock Nut
& Bushing

9 9/16"
[244mm]

16"
[406mm]

4 7/16"
[112mm]

1/2" NPT
Male Inlets

3 11/16"
[94mm]

8"
[203mm]

Quarter-Turn
Eterna Cartridges
w/ Spring Checks
& Lever Handles
w/ Color Coded
Indexes

13 5/8"
[346mm]

3/16"
[5mm]
Maximum
Thickness

2"
[51mm]

Rough-In Requirement:
(2) ϕ 1" [25mm] Mounting Holes

Product Specifications:

Pre-Rinse Unit: EasyInstall 8" Wall Mount Mixing Faucet, Quarter-Turn Eterna Cartridges w/ Spring Checks, Lever Handles, Add-On Faucet, 14" Swing Nozzle, 36" Flexible Stainless Steel Hose, 1.15 GPM Spray Valve, 9" Wall Bracket & 1/2" NPT Male Inlets

Product Compliance:

ASME A112.18.1 / CSA B125.1
NSF 61 - Section 9
NSF 372 (Low Lead Content)
2019 DOE PRSV - Class II



T&S BRASS AND BRONZE WORKS, INC.

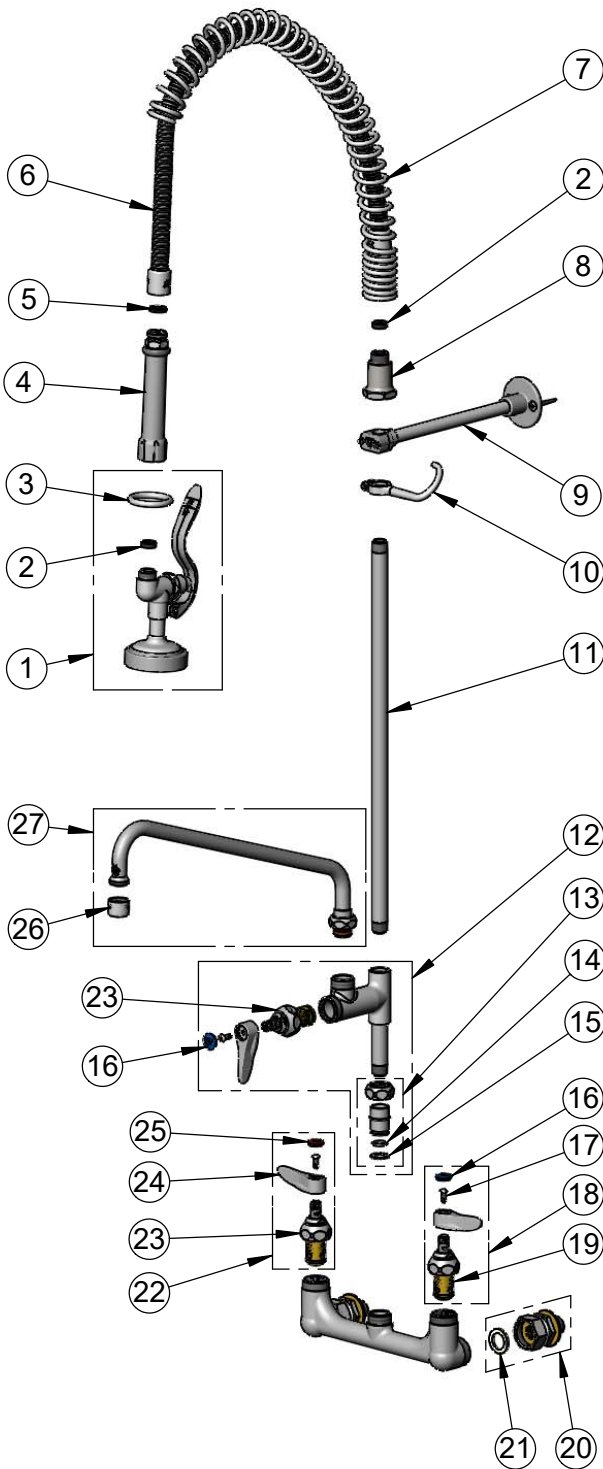
2 Saddleback Cove / P.O. Box 1088
Travelers Rest, SC 29690

Model No.

B-0133-01-36H

Item No.

Travelers Rest, SC: 800-476-4103 • Simi Valley, CA: 800-423-0150 • Fax: 864-834-3518 • www.tsbrass.com



| ITEM NO. | SALES NO. | DESCRIPTION |
|----------|-------------|---|
| 1 | B-0107 | 1.15 GPM Spray Valve |
| 2 | 010476-45 | #27 Washer |
| 3 | 000907-45 | Spray Valve Hold Down Ring |
| 4 | 002987-40 | Grip Handle |
| 5 | 001014-45 | Washer, B-0100 Hose Barrel |
| 6 | B-0036-H2A | 36" Flexible Stainless Steel Hose, Less Handle |
| 7 | 000888-45 | EasyInstall Overhead Spring |
| 8 | 000821-40 | Spring Body |
| 9 | B-0109-02 | 9" Wall Bracket |
| 10 | 004R | Finger Hook |
| 11 | 000369-40 | 3/8" NPT x 18" Riser |
| 12 | B-0155-LNEZ | EasyInstall Add-On Faucet w/ Quarter-Turn Eterna Cartridge, RTC & Lever Handle, Less Nozzle |
| 13 | EZ-K | EasyInstall Kit |
| 14 | 001065-45 | O-Ring |
| 15 | 014200-45 | Star Washer, Anti-Rotation |
| 16 | 018506-19NS | Blue Button Index, Press-in |
| 17 | 000925-45 | Lab Handle Screw |
| 18 | 002711-40NS | Quarter-Turn Eterna Cartridge w/ Spring Check, Handle, Blue Index & Screw, LTC |
| 19 | 012442-40NS | Quarter-Turn Eterna Cartridge w/ Spring Check, LTC |
| 20 | 00CC | 1/2" NPT Male Inlet Flange |
| 21 | 001019-45 | Coupling Nut Washer |
| 22 | 002712-40NS | Quarter-Turn Eterna Cartridge w/ Spring Check, Handle, Red Index & Screw, RTC |
| 23 | 012443-40NS | Quarter-Turn Eterna Cartridge w/ Spring Check, RTC |
| 24 | 001638-45NS | Lever Handle (New Style) |
| 25 | 001193-19NS | Red Button Index, Press-in |
| 26 | B-PT | Full Flow Stream Regulator, 55/64-27 |
| 27 | 063X | 14" Swing Nozzle |

Product Specifications:

Pre-Rinse Unit: EasyInstall 8" Wall Mount Mixing Faucet, Quarter-Turn Eterna Cartridges w/ Spring Checks, Lever Handles, Add-On Faucet, 14" Swing Nozzle, 36" Flexible Stainless Steel Hose, 1.15 GPM Spray Valve, 9" Wall Bracket & 1/2" NPT Male Inlets

Product Compliance:

ASME A112.18.1 / CSA B125.1
NSF 61 - Section 9
NSF 372 (Low Lead Content)
2019 DOE PRSV - Class II