



Architect/Engineering Specifications:

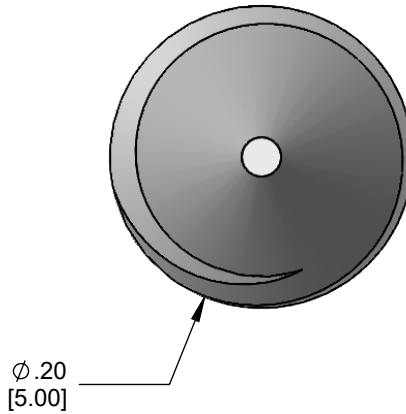
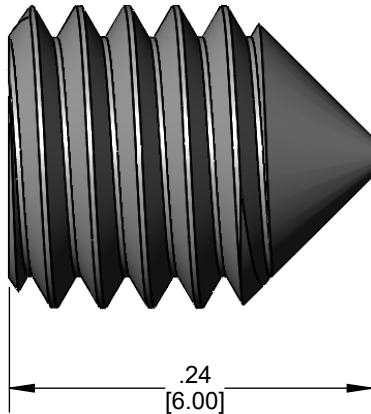
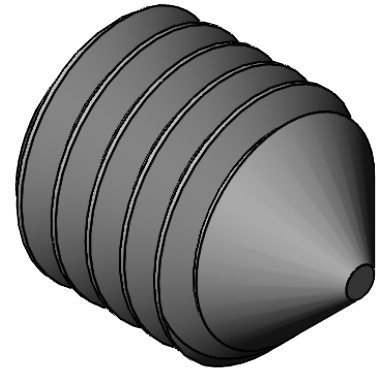
Stainless steel cone-point set screw, M5 x 0.8 x 6mm long.

Job Name _____

Model Specified _____ Quantity _____

Variations Specified _____

Date _____



Features & Benefits:

- Stainless steel cone-point set screw
- 2.5 mm hex
- Material: 18/8 stainless steel

Product Compliance:

- N/A

Warranty: One Year (Limited)

Performance Data:

- N/A

