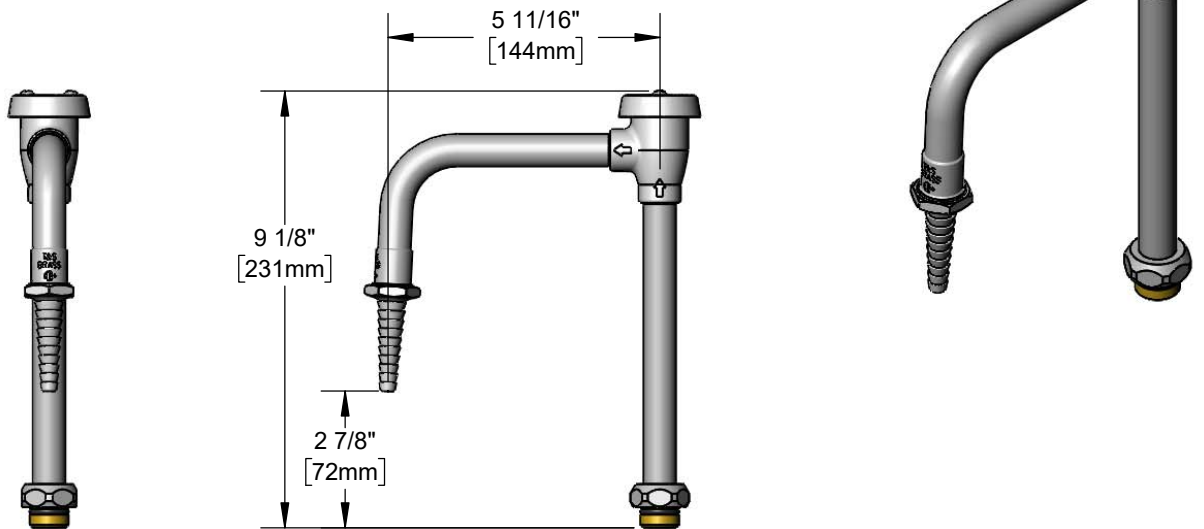




Architect/Engineering Specifications:

Polished chrome plated swivel nozzle with vacuum breaker and serrated tip outlet with 0.5 GPM flow control. Certified to ASME A112.18.1 / CSA B125.1, NSF 61-Section 9, NSF 372 and ASSE 1001.

Job Name _____
 Model Specified _____ Quantity _____
 Variations Specified _____
 Date _____



Features & Benefits:

- Polished chrome plated swivel nozzle
- 6 13/16" riser
- 3/8" NPT vacuum breaker
- Serrated tip outlet w/ 0.5 GPM flow control and washer
- Material: Polished chrome plated brass tubular spout

Product Compliance:

- ASME A112.18.1 / CSA B125.1
- NSF 61 - Section 9
- NSF 372 (Low Lead Content)
- ASSE 1001 (VB)

Warranty: One Year (Limited)

Performance Data:

- Pressure: 20 - 125 psi
- Temperature: 40 °F - 140 °F
- Flow Rate: 0.5 GPM @ 60 psi

