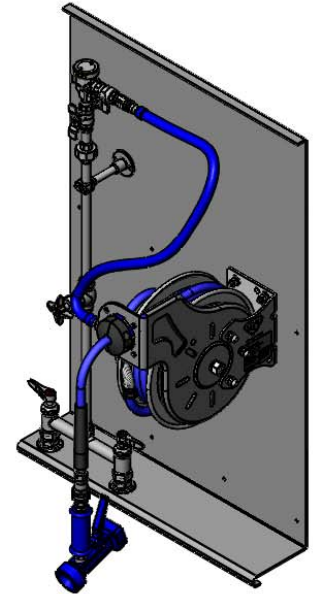
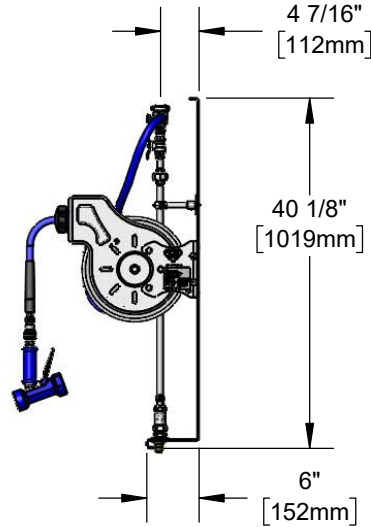
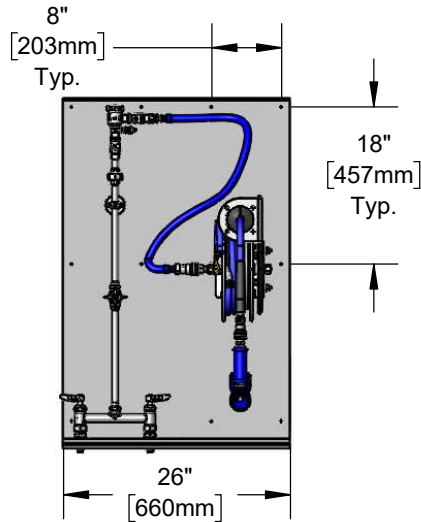




Architect/Engineering Specifications:

Hose reel system, 8" deck mount mixing faucet with polished chrome plated brass body, ceramic cartridges with check valves, lever handles, 1/2" NPT male inlets, (2) 12" risers, control valve, wall bracket, continuous pressure vacuum breaker, 24" flexible water hose connector with stainless steel quick disconnect, open stainless steel hose reel with 3/8" x 15' heavy-duty non-marking hose, ratcheting system, high flow stainless steel rear trigger water gun with quick-disconnect, multi-fit bracket, stainless steel backplate and adjustable hose bumper. Certified to ASSE 1056.

Job Name _____
 Model Specified _____ Quantity _____
 Variations Specified _____
 Date _____



Features & Benefits:

- All-in-one system with exposed piping and accessories
- 8" deck mount mixing faucet w/ polished chrome plated brass body
- Quarter-turn Cerama cartridges with check valves to prevent cross flow of water
- Lever handles w/ color coded indexes
- 1/2" NPT male inlets with Ø 2" flanges
- (2) 12" risers w/ control valve between risers
- 2 3/8" wall bracket
- Continuous pressure vacuum breaker
- 24" flexible water hose connector with stainless steel quick disconnect
- Open stainless steel hose reel
- High flow stainless steel rear trigger water gun w/ quick-disconnect
- 3/8" x 15' heavy-duty non-marking hose rated to 300 PSI
- Ratcheting system holds the length of hose until a slight tug to retract automatically
- Adjustable hose bumper
- Stainless steel backplate
- Multi-fit bracket for wall, ceiling or under counter mounting
- Material: Polished chrome plated brass faucet body, risers and spray valve body, chrome plated metal handles, control valve & vacuum breaker and stainless steel open reel & backplate.

Optional Cartridges With Checks

- Quarter-Turn Cerama w/ Check Valve (Standard)
- Quarter-Turn Eterna w/ Spring Check

Product Compliance:

- NSF 61 Exempt (Non-Potable)
- 2019 DOE PRSV Non-Compliant
- ASSE 1056 (VB)



Warranty: One Year (Limited)

- Hose Reel: Two Year (Limited)
- Hose: One Year (Limited)

Performance Data:

- Pressure: 20 - 125 psi [1.38 - 8.62 bar]
- Temperature: 40 °F - 140 °F [4.44 °C - 60 °C]
- Flow Rate: 2.84 GPM [10.75 L/min] @ 60 psi [4.14 bar]

Optional Hose Reel Spray Valves

- B-0107 Spray Valve
- B-0108 Ergonomic Medium Flow Spray Valve
- B-0108-H Ergonomic High Flow Spray Valve
- EB-0107 High Flow Spray Valve
- EB-2322 Extended Spray Wand
- MV-2516-24 Stainless Steel Rear Trigger Water Gun (Standard)
- MV-2522-24 Stainless Steel Front Trigger Water Gun
- MV-3516-24 Aluminum Rear Trigger Water Gun

