



T&S BRASS AND BRONZE WORKS, INC.

2 Saddleback Cove / P.O. Box 1088
Travelers Rest, SC 29690

Model No.

BP-TMV-38C-CBT

Item No.

Travelers Rest, SC: 800-476-4103 • Simi Valley, CA: 800-423-0150 • Fax: 864-834-3518 • www.tsbrass.com

This Space for Architect/Engineer Approval

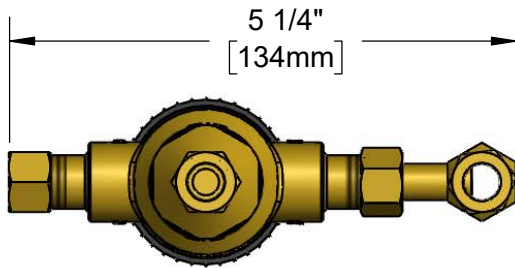
Job Name _____ Date _____

Model Specified _____ Quantity _____

Customer/Wholesaler _____

Contractor _____

Architect/Engineer _____



Mixed Water
to Fixture

3/8 Compression Fittings
w/ Ferrules and Lock Nuts.
Remove Lock Nuts and Ferrules
for 9/16-24 UNEF Male Thread
Connection. (Typical)

Ø 1 1/2"
[38mm]

Cold
Bypass

Hot
Inlet

Cold Water
Bypass Tee.
Remove TMV
Cold Side Lock
Nut and Ferrule to
Connect Tee.

5 5/16"
[136mm]

Cold
Inlet

Integral Check Valves
Built into Hot and Cold Inlets

Check Valve Filter Screens
(Included)

Locking Adjustment Knob Prevents Water from
Exceeding Customer's Maximum Temperature
Set Point.

Valve is Factory Pre-set to Deliver Mixed Water
Temperature of Approximately 100°F (38°C) Max.

Performance Rating:

- Minimum Flow Rate: 0.35 GPM
- Pressure Drop at Minimum Flow Rate: 0.5 psi
- Maximum Pressure: 125 psi
- Hot Water Inlet Temperature Range: 120~180°F (49~82°C)
- Outlet Temperature Range: 80~120°F (27~49°C)
- Outlet Temperature Factory Setting: Approx. 100°F (38°C)

Product Specifications:

Thermostatic Mixing Valve with 3/8" Compression Fittings
and Cold Water Bypass Tee

Product Compliance:

NSF 61 - Section 9
NSF 372 (Low Lead Content)
ASSE 1070 (TMV)



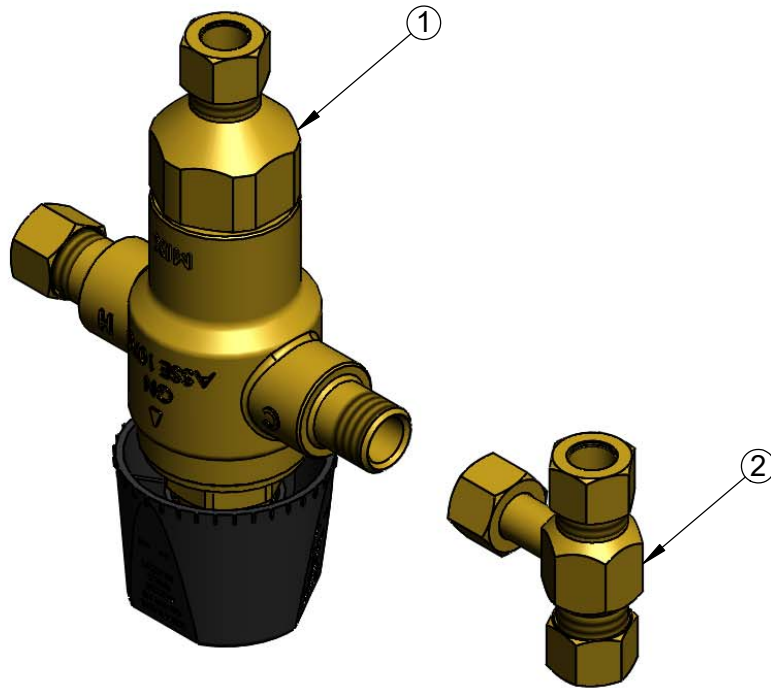
T&S BRASS AND BRONZE WORKS, INC.
2 Saddleback Cove / P.O. Box 1088
Travelers Rest, SC 29690

Model No.
BP-TMV-38C-CBT

Item No.

Travelers Rest, SC: 800-476-4103 • Simi Valley, CA: 800-423-0150 • Fax: 864-834-3518 • www.tsbrass.com

ITEM NO.	SALES NO.	DESCRIPTION
1	BP-TMV-38C	3/8" Compression TMV
2	020862-45	Bypass Tee, 3/8" Compression



Product Specifications:
Thermostatic Mixing Valve with 3/8" Compression Fittings
and Cold Water Bypass Tee

Product Compliance:
NSF 61 - Section 9
NSF 372 (Low Lead Content)
ASSE 1070 (TMV)