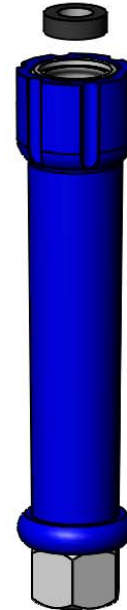
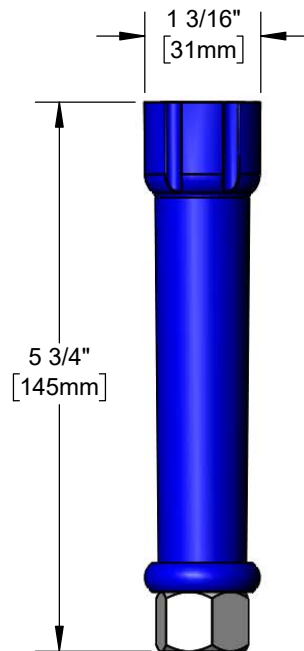




Architect/Engineering Specifications:

Hose reel blue grip handle with 3/8" NPT female inlet, 3/4-14 female outlet and washer.

Job Name _____
 Model Specified _____ Quantity _____
 Variations Specified _____
 Date _____



Features & Benefits:

- Hose reel blue grip handle
- 3/8" NPT female inlet
- Washer included
- Material: Thermoplastic & brass

Product Compliance:

- N/A

Warranty: One Year (Limited)

Performance Data:

- N/A

