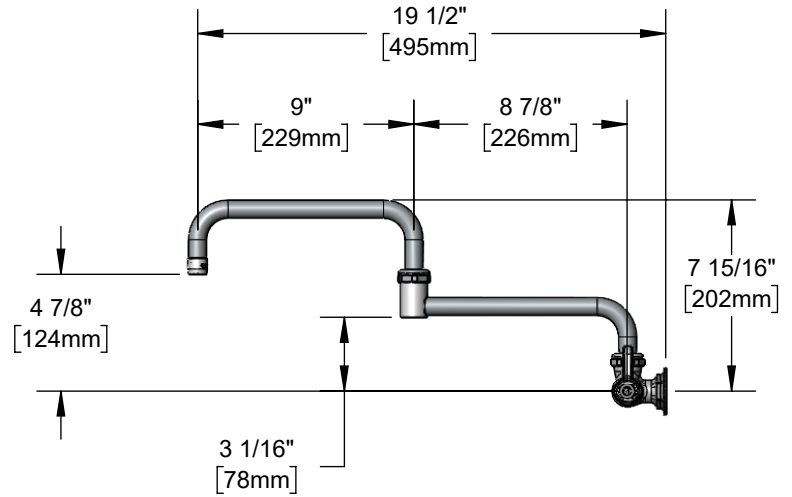
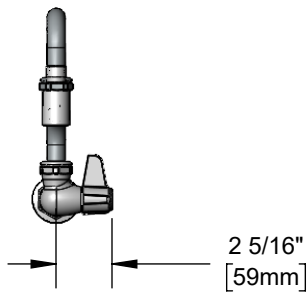
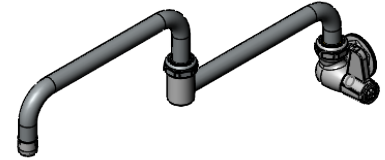


Architect/Engineering Specifications:

Single supply wall mount faucet, ceramic cartridge, 18" double joint swing nozzle with laminar flow device, lever handle, 1/2" NPT female inlet. Certified to ASME A112.18.1\CSA B125.1, NSF 61-Section 9 and NSF 372. Meets ADA ANSICC A117.1 requirements.

Job Name _____
 Model Specified _____ Quantity _____
 Variations Specified _____
 Date _____



Features & Benefits:

- Single hole temperature wall mount faucet w/ polished chrome plated brass body
- 18" double-joint swing nozzle w/ laminar flow device
- Ceramic cartridge
- equip lever handle
- 1/2" NPT female inlet
- Material: Polished chrome plated brass body and chrome plated metal handle

Product Compliance:

- ASME A112.18.1 / CSA B125.1
- NSF 61 - Section 9
- NSF 372 (Low Lead Content)
- ANSI A117.1 (ADA)



Warranty: One Year (Limited)

Performance Data:

- Pressure: 20 - 125 psi [1.38 - 8.62 bar]
- Temperature: 40 °F - 140 °F [4.44 °C - 60 °C]
- Flow Rate: 4.5 GPM [17.03 L/min] @ 60 psi [4.14 bar]