



Self-Closing PVC Single Ledge Faucet

Architect/Engineering Specifications:

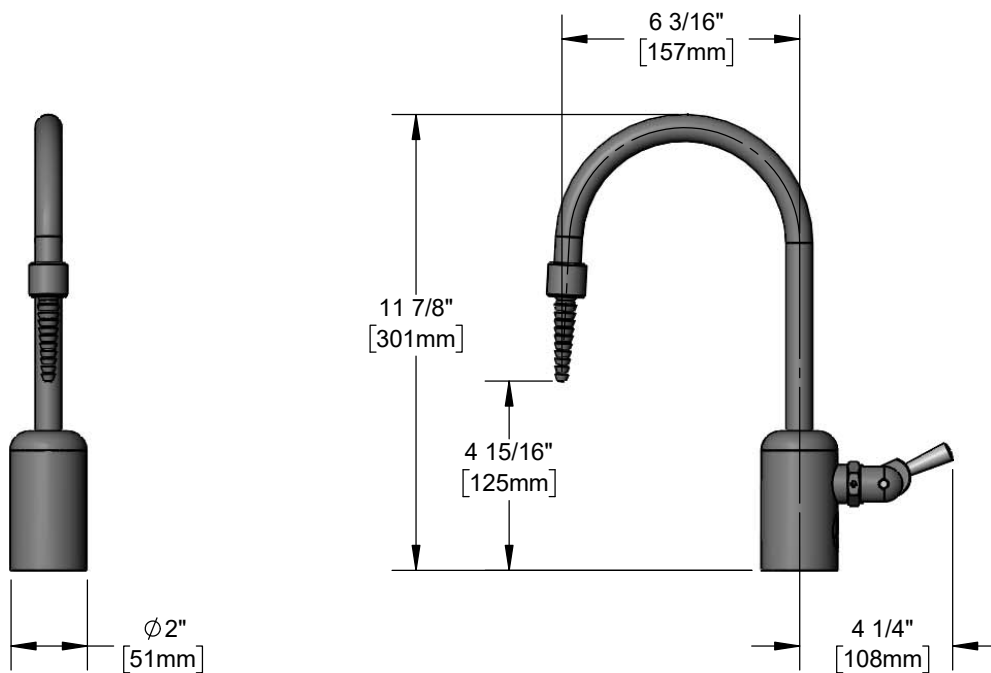
Single hole single temperature deck mount faucet with PVC body, 6 3/16" rigid gooseneck with serrated tip outlet, dual operation handle and 1/2" NPT female inlet. Certified to ASME A112.18.1/CSA B125.1, NSF 61 - Section 9 and NSF-372. Meets ADA ANSI/ICC A117.1 requirements.

Job Name _____

Model Specified _____ Quantity _____

Variations Specified _____

Date _____



Features & Benefits:

- Single hole single temperature deck mount faucet w/ PVC body
- 6 3/16" rigid gooseneck
- Serrated tip outlet
- Dual operation handle:
 - Pull handle down for self-closing feature
 - Pull handle up for manual on-off control
- 1/2" NPT female inlet
- Material: PVC body & tubular spout and plastic handle

Product Compliance:

- ASME A112.18.1 / CSA B125.1
- NSF 61 - Section 9
- NSF 372 (Low Lead Content)
- ANSI A117.1 (ADA)

Warranty: One Year (Limited)

Performance Data:

- Pressure: 20 - 125 psi [1.38 - 8.62 bar]
- Temperature: 40 °F - 140 °F [4.44 °C - 60 °C]
- Flow Rate: 3.93 GPM [14.88 L/min] @ 60 psi [4.14 bar]



ADA Compliant

