



T&S BRASS AND BRONZE WORKS, INC.
 2 Saddleback Cove / P.O. Box 1088
 Travelers Rest, SC 29690

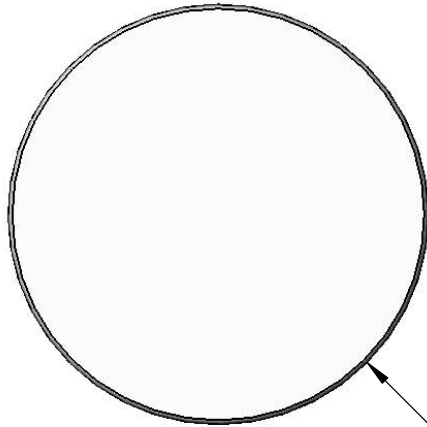
Model No.
010388-45

Item No.

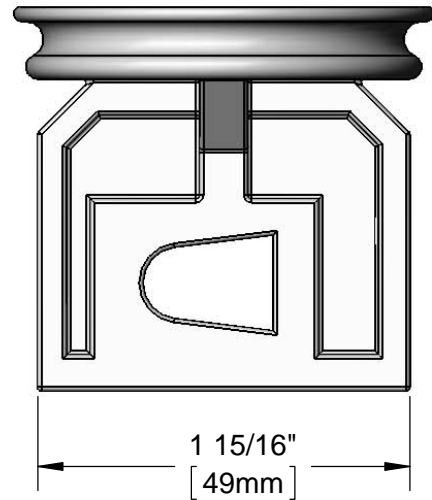
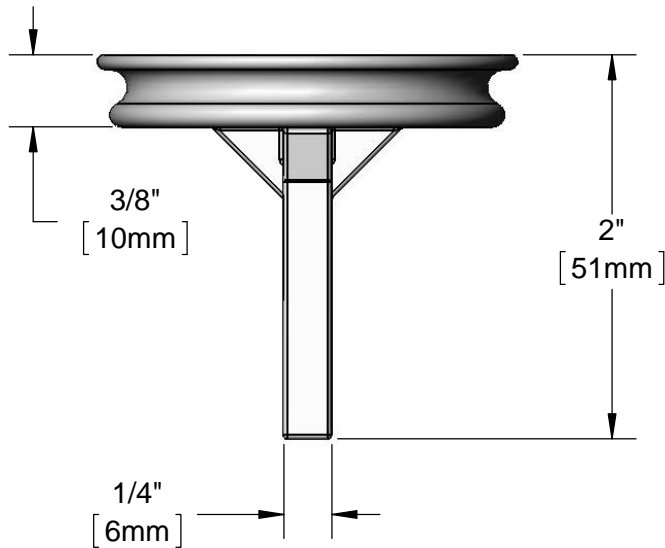
Travelers Rest, SC: 800-476-4103 • Simi Valley, CA: 800-423-0150 • Fax: 864-834-3518 • www.tsbrass.com

This Space for Architect/Engineer Approval

Job Name _____ Date _____
 Model Specified _____ Quantity _____
 Customer/Wholesaler _____
 Contractor _____
 Architect/Engineer _____



$\phi 2 \frac{3}{16}$ "
 [56mm]



Finish: Rough Chrome Plate

Product Specifications:
 Plunger, Rotary (Twist) & Lever Handle Waste Valve

Drawn DHL	Checked DMH	Approved JHB
Scale: 1:1		Date: 11/02/12