



T&S BRASS AND BRONZE WORKS, INC.
 2 Saddleback Cove / P.O. Box 1088
 Travelers Rest, SC 29690

Model No.
016754-40NS

Item No.

Travelers Rest, SC: 800-476-4103 • Simi Valley, CA: 800-423-0150 • Fax: 864-834-3518 • www.tsbrass.com

This Space for Architect/Engineer Approval

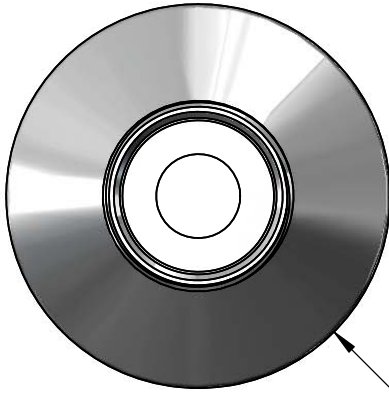
Job Name _____ Date _____

Model Specified _____ Quantity _____

Customer/Wholesaler _____

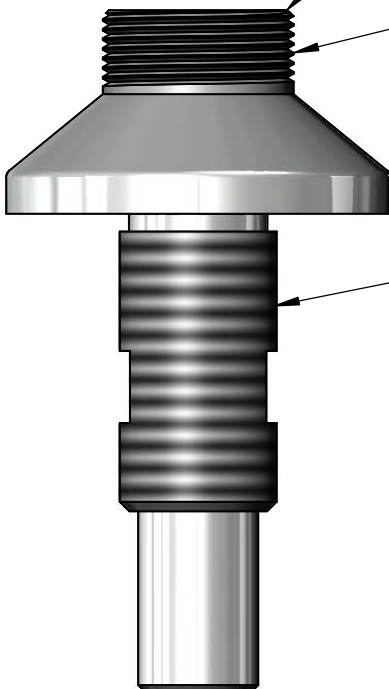
Contractor _____

Architect/Engineer _____



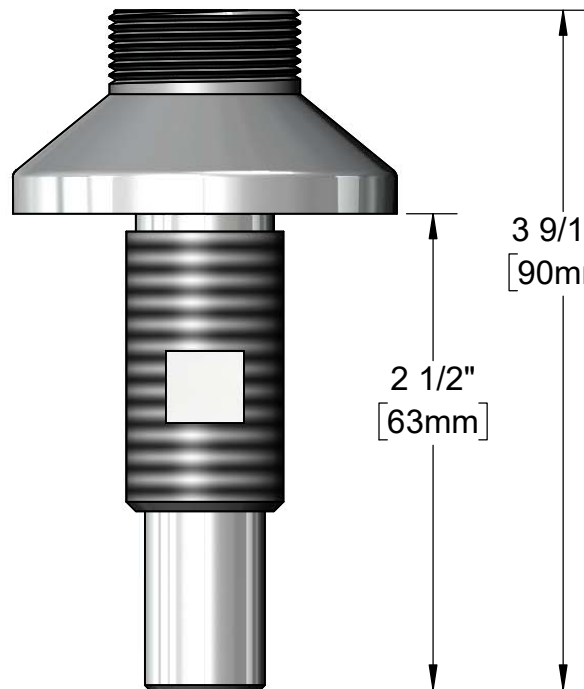
$\phi 2''$
 [51mm]

Fits All T&S
 Swivel Goosenecks
 or Swing Nozzles



1-20 UN
 Male Thread

1/2-14 NPSM
 Male Thread



3 9/16"
 [90mm]

2 1/2"
 [63mm]

Product Specifications:
 EasyInstall CWS Swivel Center w/ 1/2-14 NPSM male Inlet & 1-20 UN Male Outlet

Product Compliance:
 NSF 61 - Section 9
 NSF 372 (Low Lead Content)