



T&S BRASS AND BRONZE WORKS, INC.

2 Saddleback Cove / P.O. Box 1088
Travelers Rest, SC 29690

Model No.

B-0868-04

Item No.

Travelers Rest, SC: 800-476-4103 • Simi Valley, CA: 800-423-0150 • Fax: 864-834-3518 • www.tsbrass.com

This Space for Architect/Engineer Approval

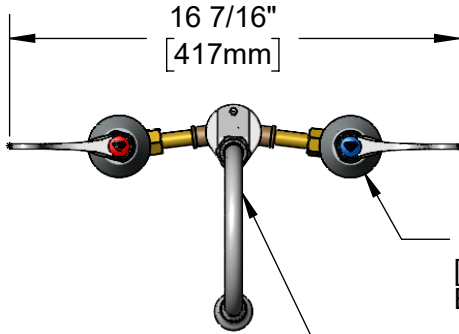
Job Name _____ Date _____

Model Specified _____ Quantity _____

Customer/Wholesaler _____

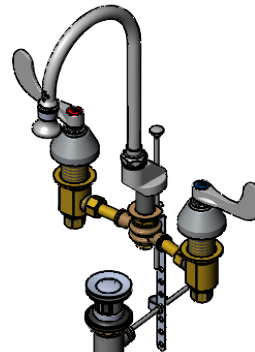
Contractor _____

Architect/Engineer _____

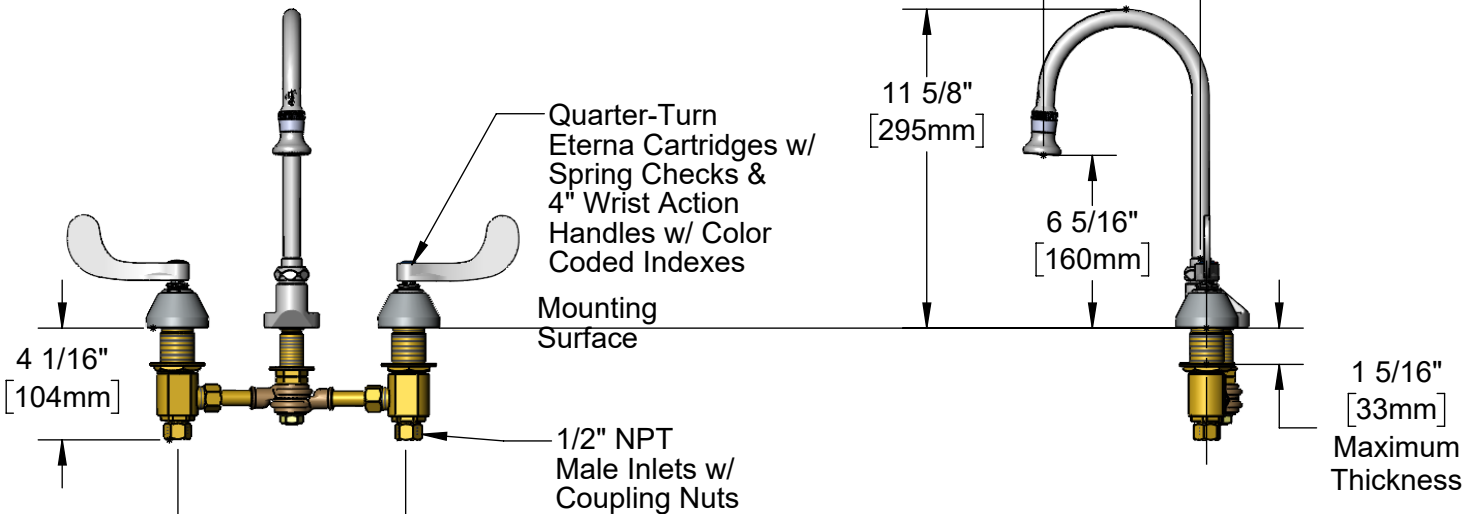


Ø 2 1/4"
[57mm]
Escutcheon

5 3/4" Swivel Gooseneck w/
B-0103-01
2.2 GPM Rosespray Outlet.
Rigid Conversion Requires
014200-45 Lock Washer
(Included)



Pop-Up Drain



Quarter-Turn
Eterna Cartridges w/
Spring Checks &
4" Wrist Action
Handles w/ Color
Coded Indexes

Mounting
Surface

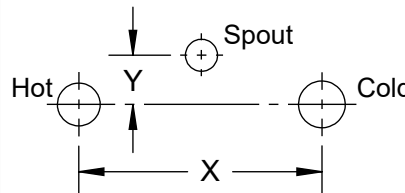
1/2" NPT
Male Inlets w/
Coupling Nuts

1 5/16"
[33mm]
Maximum
Thickness

Adjustable
Centers
(See Chart Below)

Rough-In Requirement:
Center Shank: Ø 1" [Ø 25mm] Mounting Hole
Hot/Cold Bodies: Ø 1 1/2" [Ø 38mm] Mounting Holes
Pop-Up Drain: Fits Sinks with Ø 1 7/16" [36mm] to
Ø 1 3/4" [44mm] Drain Hole

Hot & Cold Center Sections
Can be at Angle



if "Y" is Then Faucet Will
Fit "X" with Standard
1/4" NPT Cross Pipes
Furnished

1/2"	8"
1"	7 3/4"
1 1/2"	7 3/8"
2"	7"

Product Specifications:

8" Adjustable Centers Deck Mount Mixing Faucet, Quarter-Turn Eterna Cartridges w/ Spring Checks, 4" Wrist Action Handles, 5 3/4" Rigid/Swivel Gooseneck w/ 2.2 GPM Rosespray Outlet, Pop-Up Drain & 1/2" NPT Male Inlets w/ Coupling Nuts

Product Compliance:

ASME A112.18.1 / CSA B125.1
NSF 61 - Section 9
NSF 372 (Low Lead Content)



T&S BRASS AND BRONZE WORKS, INC.

2 Saddleback Cove / P.O. Box 1088
Travelers Rest, SC 29690

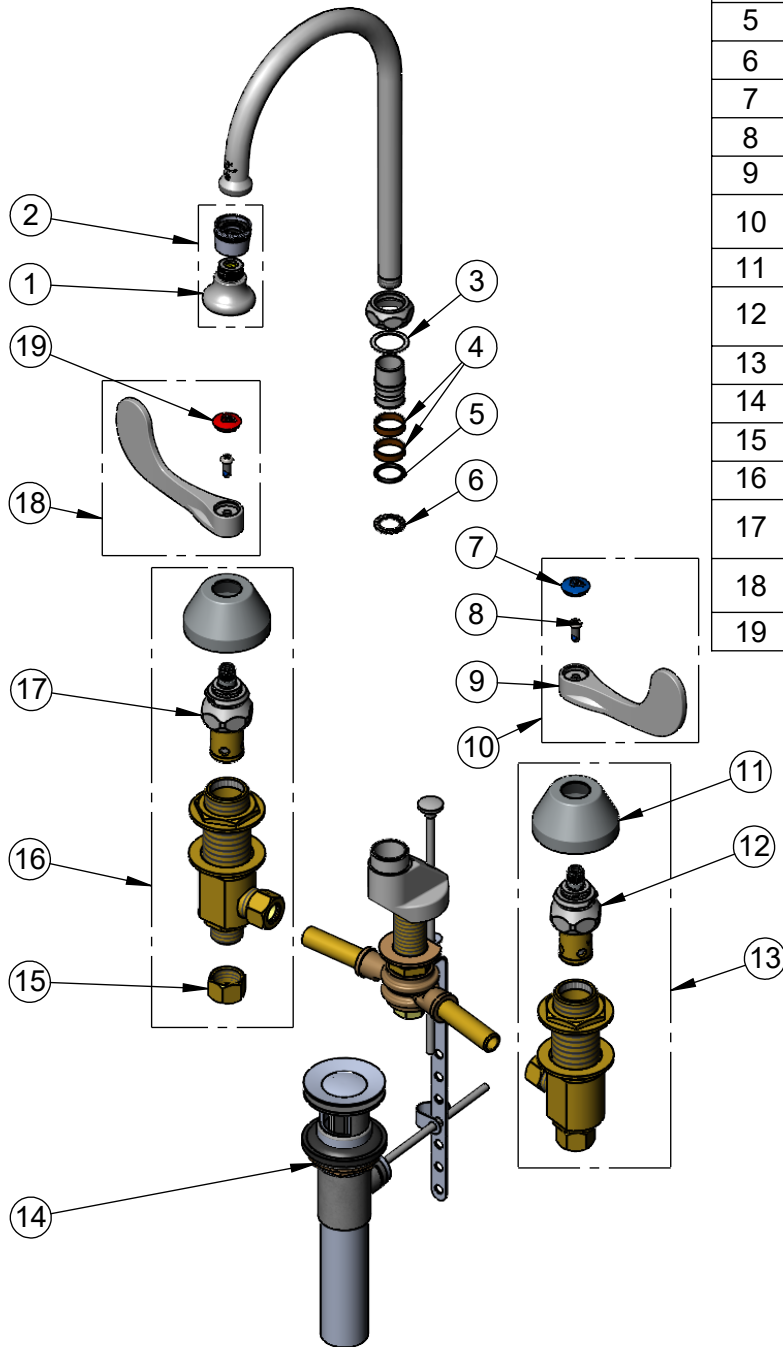
Model No.

B-0868-04

Item No.

Travelers Rest, SC: 800-476-4103 • Simi Valley, CA: 800-423-0150 • Fax: 864-834-3518 • www.tsbrass.com

ITEM NO.	SALES NO.	DESCRIPTION
1	B-0103	2.2 GPM Rosespray Outlet
2	B-0103-01	2.2 GPM Rosespray Outlet w/ Adapter
3	009538-45	Swivel Washer
4	011429-45	Swivel Sleeves (2)
5	001074-45	O-Ring
6	014200-45	Star Washer, Anti-Rotation
7	018506-19NS	Blue Button Index, Press-in
8	000925-45	Lab Handle Screw
9	B-WH4-NS	Wrist Action Handle - New Style
10	B-WH4C-NS	Wrist Action Handle, Blue Index & Screw
11	001257-40NS	Bell Escutcheon
12	006477-40NS	CWS Quarter-Turn Eterna Cartridge w/ Spring Check, LTC
13	161A-NS	B-0850 New Style Side Body - Cold
14	B-0898	Pop-Up Drain
15	000958-20	Coupling Nut
16	162A-NS	B-0850 New Style Side Body - Hot
17	006478-40NS	CWS Quarter-Turn Eterna Cartridge w/ Spring Check, RTC
18	B-WH4H-NS	Wrist Action Handle, Red Index & Screw
19	001193-19NS	Red Button Index, Press-in



Product Specifications:

8" Adjustable Centers Deck Mount Mixing Faucet, Quarter-Turn Eterna Cartridges w/ Spring Checks, 4" Wrist Action Handles, 5 3/4" Rigid/Swivel Gooseneck w/ 2.2 GPM Rosespray Outlet, Pop-Up Drain & 1/2" NPT Male Inlets w/ Coupling Nuts

Product Compliance:

ASME A112.18.1 / CSA B125.1
NSF 61 - Section 9
NSF 372 (Low Lead Content)