



T&S BRASS AND BRONZE WORKS, INC.

2 Saddleback Cove / P.O. Box 1088
Travelers Rest, SC 29690

Model No.

007257-40

Item No.

Travelers Rest, SC: 800-476-4103 • Simi Valley, CA: 800-423-0150 • Fax: 864-834-3518 • www.tsbrass.com



ADA Compliant

This Space for Architect/Engineer Approval

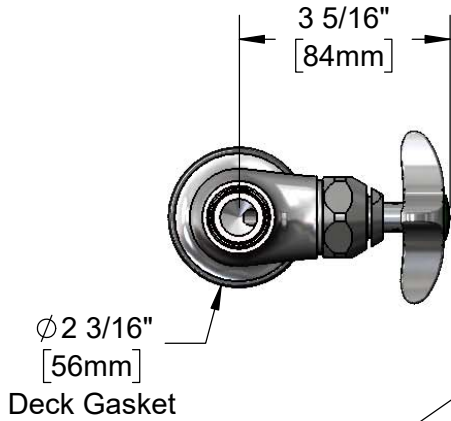
Job Name _____ Date _____

Model Specified _____ Quantity _____

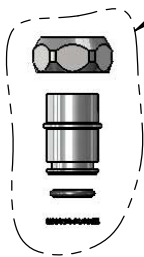
Customer/Wholesaler _____

Contractor _____

Architect/Engineer _____

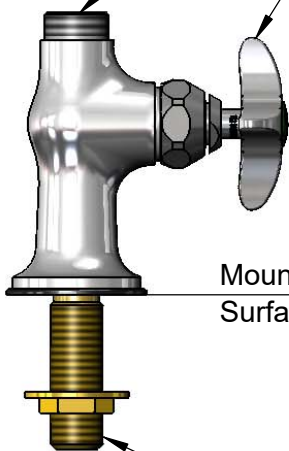


EZ-K
EasyInstall Kit
Converts Rigid Risers &
Nozzles For Use with
Swivel Outlet (Included)



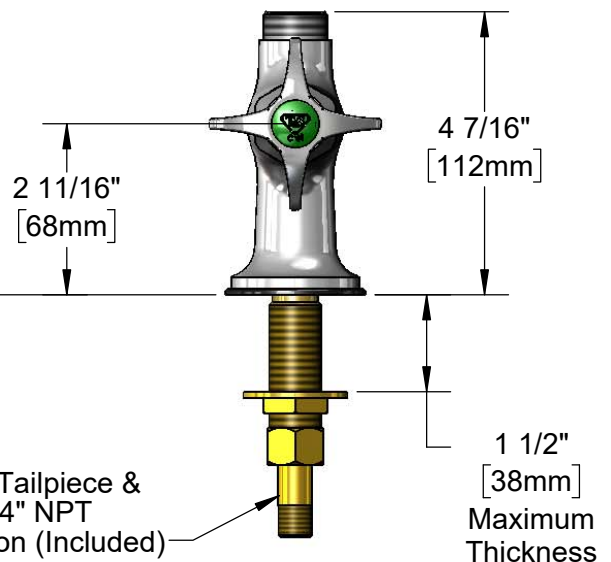
Swivel Outlet Accepts
Standard T&S Swing Nozzles
and EasyInstall Risers.

Quarter-Turn Eterna
Cartridge w/ Spring
Check & 4-Arm Handle
w/ Color Coded Index



Mounting
Surface

1/2" NPSM Male Inlet



150A
Optional Tailpiece &
Nut for 1/4" NPT
Connection (Included)

1 1/2"
[38mm]
Maximum
Thickness

Rough-In Requirement:
Ø 1" [25mm] Mounting Hole

Product Specifications:

Single Hole, Single Temperature Deck Mount Mixing Faucet, Less Gooseneck, Quarter-Turn Eterna Cartridge w/ Spring Check, 4-Arm Handle & 1/2" NPSM Male Inlet

Product Compliance:

ASME A112.18.1 / CSA B125.1
NSF 61 - Section 9
NSF 372 (Low Lead Content)



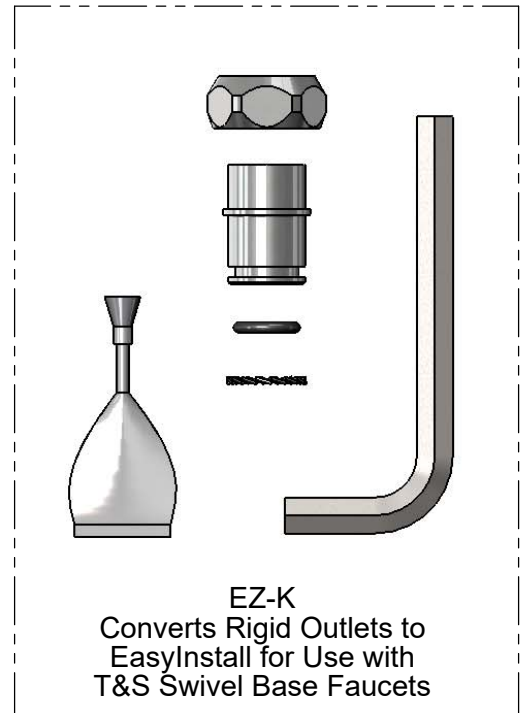
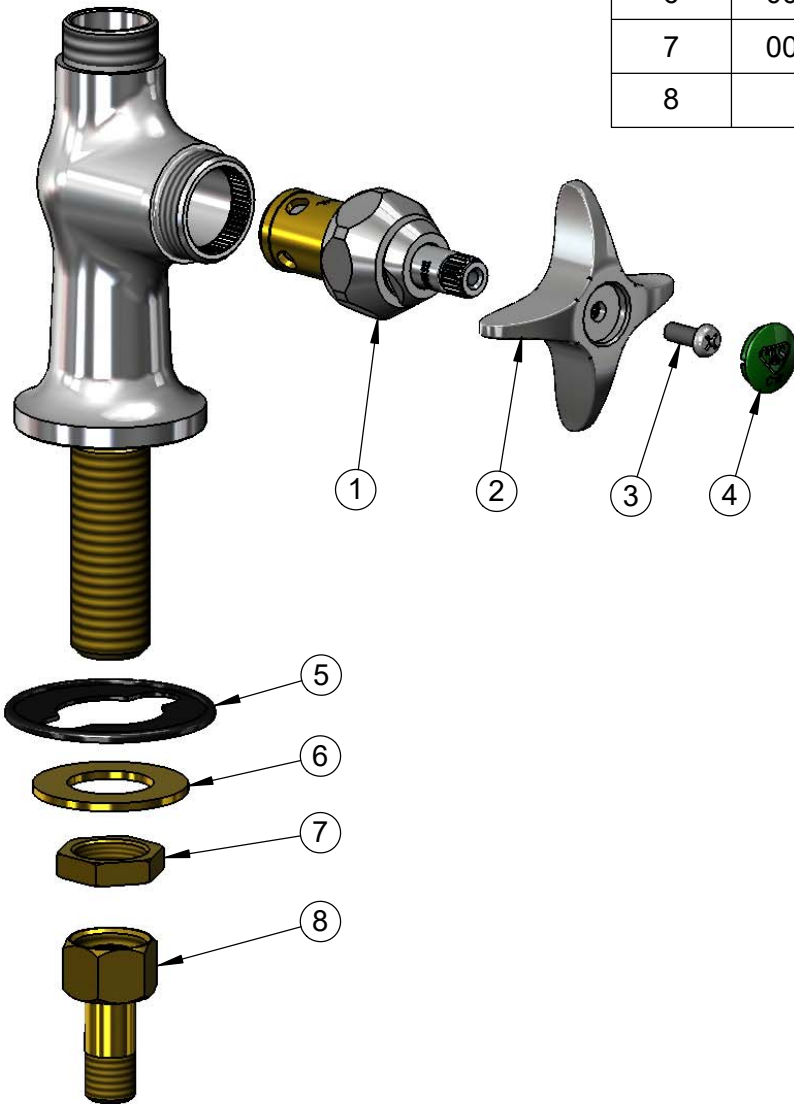
T&S BRASS AND BRONZE WORKS, INC.
 2 Saddleback Cove / P.O. Box 1088
 Travelers Rest, SC 29690

Model No.
007257-40

Item No.

Travelers Rest, SC: 800-476-4103 • Simi Valley, CA: 800-423-0150 • Fax: 864-834-3518 • www.tsbrass.com

ITEM NO.	SALES NO.	DESCRIPTION
1	012443-40NS	Quarter-Turn Eterna Cartridge w/ Spring Check, RTC
2	002521-45NS	4-Arm Handle (New Style)
3	000925-45	Lab Handle Screw
4	001191-45NS	Green "CW" Lab Button Index
5	144L	Black Plastic Gasket
6	000999-45	Brass Lock Washer
7	002954-45	Shank Lock Nut
8	150A	1/4" NPT Tailpiece & Nut



Product Specifications:
 Single Hole, Single Temperature Deck Mount Mixing Faucet, Less Gooseneck, Quarter-Turn Eterna Cartridge w/ Spring Check, 4-Arm Handle & 1/2" NPSM Male Inlet

Product Compliance:
 ASME A112.18.1 / CSA B125.1
 NSF 61 - Section 9
 NSF 372 (Low Lead Content)