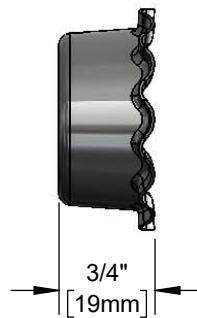
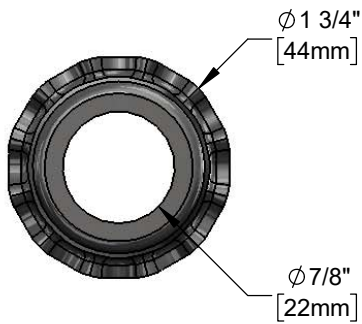




Architect/Engineering Specifications:

1 3/4" steel rosette washer for T&S faucets.

Job Name _____
 Model Specified _____ Quantity _____
 Variations Specified _____
 Date _____



Features & Benefits:

- Steel rosette washer for T&S faucets
- Material: Steel

Product Compliance:

- N/A

Warranty: One Year (Limited)

Performance Data:

- N/A

