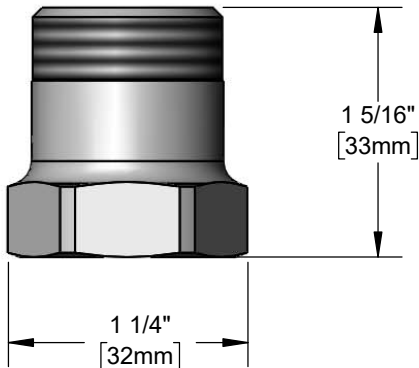
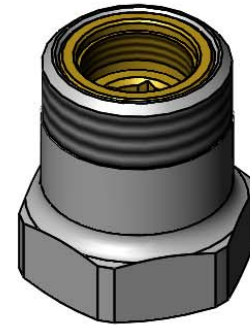




Architect/Engineering Specifications:

Chrome plated brass male swivel to restricted swivel adapter with 1-20 UN female thread x 1-20 UN male thread. Certified to NSF 61-Section 9 and NSF 372

Job Name _____
 Model Specified _____ Quantity _____
 Variations Specified _____
 Date _____



Features & Benefits:

- Chrome plated brass male swivel to restricted swivel adapter
- 1-20 UN female thread x 1-20 UN male thread
- Accepts T&S goosenecks and swing nozzles
- Use for field conversion where a faucet with 1-20 UN outlet is installed and a swivel restricted gooseneck or nozzle is required
- Restricted swivel to 100 degrees
- Washer included
- Material: Chrome plated brass

Product Compliance:

- NSF 61 - Section 9
- NSF 372 (Low Lead Content)

Warranty: One Year (Limited)

Performance Data:

- N/A

